

XS Series Speakers Installation Instructions	2
Instructions d'installation des haut-parleurs XS Series	6
Altoparlanti XS Series Istruzioni di installazione	11
Lautsprecher der XS Series – Installationsanweisungen	15
Instrucciones de instalación de los altavoces de la XS Series	19
Instruções de instalação dos alto-falantes XS Series	23
XS Series luidsprekers installatie-instructies	27

Garmin®, the Garmin logo, FUSION®, the Fusion logo, and True-Marine™ are trademarks of Garmin Ltd. or its subsidiaries, registered in the USA and other countries. These trademarks may not be used without the express permission of Garmin.



XS Series Speakers Installation Instructions

Important Safety Information

⚠ WARNING

Failure to follow these warnings and cautions could result in personal injury, damage to the vehicle or vessel, or poor product performance.

This device must be installed according to these instructions.

Disconnect the vehicle's or vessel's power supply before beginning to install this product.

⚠ CAUTION

Continuous exposure to sound pressure levels over 100 dBA may cause permanent hearing loss. The volume is typically too loud if you cannot hear people speaking around you. Limit the amount of time you listen at high volume. If you experience ringing in your ears or muffled speech, stop listening and have your hearing checked.

Always wear safety goggles, ear protection, and a dust mask when drilling, cutting, or sanding.

NOTICE

When drilling or cutting, always check what is on the opposite side of the surface.

It is strongly recommended that you have your audio system installed by a professional installer to ensure optimum performance.

You must read all installation instructions before beginning the installation. If you experience difficulty during the installation, go to www.fusionentertainment.com for product support.

What's In the Box

- 2 speakers
- 12 Phillips stainless steel mounting screws
 - 4 in. models: 3.5 mm x 25.4 mm (6 gauge x 1 in.)
 - 6.5 in. and 7.7 in. models: 4.2 mm x 25.4 mm (8 gauge x 1 in.)
- Mounting template
- Speaker grilles

Tools Needed

- Electric drill
- Drill bit (size varies based on surface material)
- Phillips screwdriver
- Wire strippers
- Crimping tool
- Electrical tape
- Appropriate saw or utility knife to cut surface material
- Marine sealant (optional)

NOTE: For customized installations, additional tools and materials may be needed.

Mounting Considerations

NOTICE

When mounting the speaker in an area exposed to weather or water, you must mount the speaker on a vertical surface. If you mount the speaker on a horizontal surface facing up, water can gather in and around the speaker, causing damage over time.

Selecting the correct mounting location is critical to optimize the performance of each speaker. FUSION® speakers are designed to perform in the widest possible range of mounting locations,

but the more you plan the installation, the better the speakers' sound will be.

- For the best performance, you should mount the speakers higher in the boat. Sound travels in the direction in which the speakers are facing, so if you mount them in a lower location, the sound quality and volume may not be ideal.
- If you intend to mount the speakers outside the boat, you must mount them in a location well above the waterline, where they are not submerged or damaged by docks, pilings, or other pieces of equipment. When mounted correctly, these speakers are rated IP65 for protection from the front of the speaker. Water exposure and damage to the rear of the speaker voids the warranty. This includes situations when the speakers are mounted in a sealed enclosure, especially if they are exposed to wash down. Using an enclosure with a port or vent exposed to the outside environment may allow water to collect and damage the speaker.
- You should select mounting locations that enable you to hear sound from both speakers at the same time to achieve a sound stage effect. To achieve this effect, you should not mount the speakers side-by-side.
- When possible, you should select mounting locations where the area behind each speaker is enclosed.
- You must select mounting locations that provide sufficient clearance for the mounting depth of the speakers as specified in the product specifications.
- For better bass performance, you should select mounting locations that provide the appropriate space behind the speaker according to the optimum enclosure design requirements in the specifications section. Too small an area restricts bass, and too large an area compromises bass performance. Also, mounting a speaker close to an open area (where sound from the back of the speaker has a very short path to compete with sound from the front of the speaker) produces the least bass.
- When a speaker is not exposed to the outside environment, you can achieve a better bass performance using an enclosure with a ported design.
- You can reference the Thiele Small (T/S) parameters in the specifications section when designing a custom enclosure for the speakers.
- You should select a flat mounting surface for the best seal.
- You should protect the speaker wires from sharp objects and always use rubber grommets when wiring through panels.
- You should select mounting locations that avoid potential obstacles, such as fuel and hydraulic lines and wiring.
- You should protect all terminals and connections from grounding and from each other. Failure to do so could result in permanent damage to the audio system and void the product warranty.
- To avoid interference with a magnetic compass, you should not mount the speakers closer to a compass than the compass-safe distance value listed in the product specifications.
- You must turn off the audio system before making any connections to the source unit, amplifier, or speakers. Failure to do so could result in permanent damage to the audio system.

Mounting the Speakers

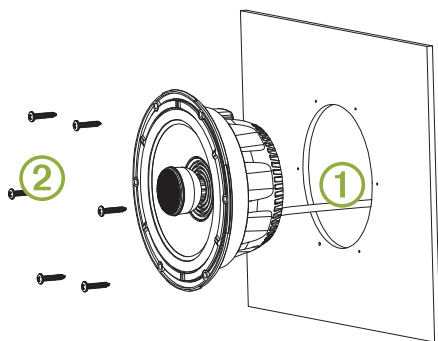
Before mounting the speakers, you must choose a location following the guidelines above.

Before cutting the mounting surface you should verify that there is enough clearance for the speaker behind the surface. Refer to the specifications for clearance information.

NOTICE

Do not apply grease or lubricant to the screws when fastening the speakers to the mounting surface. Grease or other lubricants can cause damage to the speaker housing.

- 1 Route the wires from the source to the speaker location, away from sources of electrical interference.
- 2 Trim the template and make sure it fits in the selected location.
- 3 Orient the template so that the FUSION logo is right-side up on the template.
- 4 Secure the template to the selected location.
- 5 Using a rotary tool or jigsaw, cut the mounting surface along the inside of the line on the template.
- 6 Place the speaker in the cutout to test the fit.
- 7 If necessary, use a file and sandpaper to refine the size of the cutout.
- 8 After the speaker fits correctly in the cutout, ensure the mounting holes on the speaker line up with the pilot holes on the template.
- 9 If the mounting holes on the speaker do not line up, mark the new hole locations.
- 10 Using an appropriately sized drill bit for the mounting surface and screw type, drill the holes.
- 11 Remove the template from the mounting surface.
- 12 Connect the speaker wires ① while observing polarity (*Speaker Wiring*, page 3).



- 13 If necessary, connect the LED wires (*LED Wiring*, page 3).
- 14 Place the speaker in the cutout.
- 15 Secure the speaker to the mounting surface using the included screws ②.
NOTE: Do not over tighten the screws, especially if the mounting surface is not flat.
- 16 With the speakers mounted, hold the grille with the FUSION logo at the bottom, or at the 6 o'clock position.
- 17 Turn the grille counter-clockwise about 30 degrees, so the FUSION logo is at the 5 o'clock position.
- 18 Place the grille on the speaker, and twist it clockwise to secure it.
NOTE: Instead of twisting to install the grille, you can line it up so the FUSION logo is at the 6 o'clock position and press to snap it into place.

Speaker Wiring

When connecting the speakers to your stereo, observe these considerations.

- Speaker wire is not included with the speakers. You should use 18 AWG (0.82 mm²) speaker wire to connect the speakers to the stereo.
- The leads on the speakers are terminated using male spade connectors. You should use female spade connectors (not

included) to connect the speaker wire to the speaker leads for the best connection.

- You can use this table to identify the polarity and spade-connector sizes of the leads on the speaker.

Speaker wire color	Speaker wire polarity	Spade connector size
White	Positive (+)	6.3 mm
White with a black stripe	Negative (-)	4.8 mm

LED Wiring

Connecting the LED Wires

You can control the color of the LEDs by connecting the LED color wires to ground. You can splice the ground wire to multiple LED wires to customize the LED color.

NOTE: This feature is available only on the sports model.

NOTE: Instead of connecting the LED wires for one dedicated color, you can install a remote control to turn the LEDs on and off, change the color, and create lighting effects. See your FUSION dealer or www.fusionentertainment.com for more information.

The black wire on the LED cable is terminated with a 4 mm female bullet connector, and the color wires are terminated with 4 mm male bullet connectors. You can connect these to 4 mm bullet connectors on your wires (not included), or remove the bullet connectors to connect to the bare wires instead.

- 1 Connect a positive wire to the black wire on the LED cable.
- 2 Connect a ground wire to the wire on the LED cable according to the preferred LED color.

LED Color	LED Wire Color
Red	Red
Green	Green
Blue	Blue
Yellow	Red and green
Magenta	Red and blue
Cyan	Blue and green
White	Red, green, and blue

- 3 Route the positive and negative wires, and connect them to a power source (*Connecting the LED Wires to Power*, page 3).

Connecting the LED Wires to Power

NOTE: This feature is available on only the sports model.

You must connect all 12 Vdc wiring to the LEDs to a 3 A fuse at the power-source end of the cable. You should connect the positive (+) power wire to a 12 Vdc power source through an isolator switch or circuit breaker to turn the LEDs on and off. You can use the same isolator or circuit breaker controlling the power supply to your stereo, which allows you to turn the LEDs and the stereo on and off at the same time.

You should use 22 AWG (0.33 mm²) or thicker wire to connect the LEDs to the battery.

- 1 Route the positive power (+) and negative ground (-) wires from the LED-wire connections to the battery.
- 2 Connect the negative wire to the negative (-) battery terminal.
- 3 Connect the positive wire to the positive (+) terminal through a 3 A fuse and isolator switch or circuit breaker.

Speaker Information

True-Marine™ Products

True-Marine products are subjected to rigorous environmental testing under harsh marine conditions to surpass industry guidelines for marine products.

Any product that bears the True-Marine stamp of assurance has been designed for simplicity of use and combines advanced marine technologies to deliver an industry leading entertainment experience. All True-Marine products are supported by the FUSION 3-year worldwide limited consumer warranty.

Registering Your XS Series

Help us better support you by completing our online registration today.

- Go to www.fusionentertainment.com.
- Keep the original sales receipt, or a photocopy, in a safe place.

Cleaning the Speakers

NOTE: When mounted correctly, these speakers are rated IP65 for dust and water ingress protection under normal conditions. They are not designed to withstand high pressure water spray, which may occur when you wash down your vessel. Failure to carefully spray-clean the vessel may damage the product and void the warranty.

NOTICE

Do not use harsh or solvent-based cleaners on the speakers. Using such cleaners may damage the product and void the warranty.

- 1 Clean all salt water and salt residue from the speaker with a damp cloth soaked in fresh water.
- 2 Use a mild detergent to remove a heavy buildup of salt or stains.

Troubleshooting

Before you contact your FUSION dealer or service center, you should perform a few simple troubleshooting steps to help diagnose the problem.

If the FUSION speaker has been installed by a professional installation company, you should contact the company so the technicians can assess the problem and advise you about possible solutions.

There is no sound coming from the speakers

- Verify that all connections from the source device and/or the amplifier are connected correctly to the speaker terminals.

The system lacks bass or high frequencies

- Verify that the correct wire polarity is observed between the source and speakers.
The wires should be connected positive to positive and negative to negative.
- Verify that the speakers are attached firmly to the mounting surface.

The audio is distorted

- Verify that the source volume is not too loud for the speaker, and reduce the volume if necessary.
- Verify that the panels surrounding the speaker on the vessel are not rattling.
- Verify that the source device and/or the amplifier are connected to the speaker terminals correctly.
- If the speaker is connected to an amplifier, verify that the input level of the amplifier is matched to the output level of the stereo. For more information, see the manual for the amplifier.

The LED lights will not turn on

- Verify that all wiring connections are correct and tight.

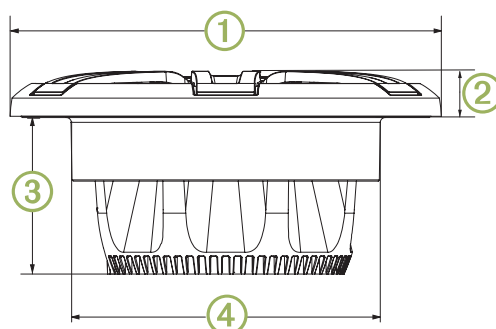
Specifications

Specification	4" Speakers	6.5" Speakers	7.7" Speakers
Peak power (Watts)	120 W	200 W	240 W
RMS power (Watts)	30 W	50 W	60 W
Efficiency (1 W/1 m)	87 dB	91 dB	92 dB
Frequency response	100 Hz to 18,000 Hz	80 Hz to 18,000 Hz	70 Hz to 18,000 Hz
Nominal impedance	4 ohms		
Recommended amplifier power (RMS)	15 to 80 W per channel	20 to 150 W per channel	25 to 200 W per channel
Min. mounting depth (clearance)	54 mm (2 1/8 in.)	67 mm (2 5/8 in.)	77 mm (3 in.)
Mounting diameter (clearance)	99 mm (3 7/8 in.)	135 mm (5 5/16 in.)	162 mm (6 3/8 in.)
Optimum enclosure volume recommendation*	4 L (0.14 ft. ³)	8 L (0.28 ft. ³)	10 L (0.28 ft. ³)
LED color options (Sports Model Speakers only)	N/A	RGB	
LED Supply Voltage (Sports Model Speakers only)	N/A	From 10.8 to 16 Vdc	
LED Load Current at 14.4 Vdc (Sports Model Speakers only)	N/A	150 mA	
Operating temperature range	From 0 to 50°C (from 32 to 122°F)		
Storage temperature range	From -20 to 70°C (from -4 to 158°F)		
Cone/surround material	Polypropylene cone, rubber surround	Polypropylene cone, cloth surround	
Water and dust rating	IEC 60529 IP65 (Protected against dust and water ingress.)		

*Sealed enclosure, fully filled with absorption material.

NOTE: This speaker is not intended to be installed in a vented or ported enclosure when exposed to the outside environment.

Speaker Dimensions



Dimension	4" Speakers	6.5" Speakers	7.7" Speakers
①	135 mm (5 5/16 in.)	177 mm (6 15/16 in.)	196 mm (7 11/16 in.)
②	Classic grille: 17 mm (11/16 in.) Sports grille: 19 mm (3/4 in.)	Classic grille: 17 mm (11/16 in.) Sports grille: 19 mm (3/4 in.)	Classic grille: 20 mm (3/4 in.) Sports grille: 23 mm (7/8 in.)
③	51 mm (2 in.)	64 mm (2 1/2 in.)	74 mm (2 7/8 in.)
④	95 mm (3 3/4 in.)	130 mm (5 1/8 in.)	157 mm (6 3/16 in.)

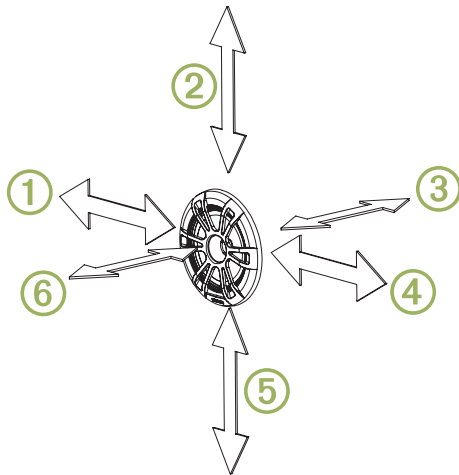
Compass-Safe Distances

All speakers contain magnets which may cause interference with instruments on your boat. The size of the magnet used in the speaker affects how much interference the speaker may cause.

Interference can cause deviations and variations in the readings of sensitive navigational equipment, such as magnetic compasses. These deviations can cause inaccuracies or offsets in the readings, but will not harm the equipment. To alleviate the deviations, adjust the compass for the deviation following the manufacturer's instructions or move the speaker away from the navigational equipment. After moving a source of interference, you may need to recalibrate the compass.

If you are navigating solely by a magnetic compass, use extreme caution to place the speaker far enough away from the compass to avoid causing deviations in the readings.

To avoid deviations to navigational equipment, position the speakers so they are separated from the navigational equipment by at least the distance listed in the table below.



Direction from Speaker	4" Speakers	6.5" Speakers	7.7" Speakers
①	185 cm (6 ft. 1 in.)	250 cm (8 ft. 2 in.)	275 cm (9 ft.)
②	185 cm (6 ft. 1 in.)	245 cm (8 ft.)	275 cm (9 ft.)
③	255 cm (8 ft. 5 in.)	310 cm (10 ft. 2 in.)	400 cm (33 ft. 4 in.)
④	185 cm (6 ft. 1 in.)	255 cm (8 ft. 4 in.)	275 cm (9 ft.)
⑤	185 cm (6 ft. 1 in.)	230 cm (7 ft. 6 in.)	275 cm (9 ft.)
⑥	230 cm (7 ft. 7 in.)	280 cm (9 ft. 2 in.)	385 cm (12 ft. 7 in.)

Thiele Small Parameters

You can use the Thiele Small (T/S) parameters when designing custom enclosures for your speakers.

NOTE: Thiele/Small parameters may vary between samples, based on the environment and how much the speaker has been used. These values are intended as a guide to help with enclosure design.

T/S Parameter	4 in. Speakers	6.5 in. Speakers	7.7 in. Speakers
Electrical Q factor (Q_{es})	1.80	1.05	0.7
Mechanical Q factor (Q_{ms})	4.40	4.80	3.6
Total Q factor (Q_{ts})	1.28	0.86	0.59
Resonance frequency (F_s)	128	82	72
Equivalent air load (V_{as})	1.6	7.6	10.4

Instructions d'installation des haut-parleurs XS Series

Informations importantes relatives à la sécurité

⚠ AVERTISSEMENT

Le non-respect de ces avertissements et de ces mises en garde est susceptible de provoquer des blessures, d'endommager le bateau ou le véhicule ou de dégrader les performances du produit.

Cet appareil doit être installé conformément à ces instructions.

Déconnectez l'alimentation du véhicule ou du bateau avant de commencer à installer ce produit.

⚠ ATTENTION

L'exposition prolongée à des niveaux de pression acoustique supérieurs à 100 dBA peut entraîner une perte d'audition irréversible. Le volume est généralement trop élevé si vous ne parvenez pas à entendre les personnes qui parlent autour de vous. Limitez le temps d'écoute durant lequel le volume est élevé. Si vos oreilles sifflent ou si vous entendez des sons étouffés, arrêtez l'écoute et faites contrôler votre audition.

Portez toujours des lunettes de protection, un équipement antibruit et un masque anti-poussière lorsque vous percez, coupez ou poncez.

AVIS

Lorsque vous percez ou coupez, commencez toujours par vérifier la nature de la face opposée de l'élément.

Pour des performances optimales, il est vivement recommandé de confier l'installation du système audio à un professionnel.

Lisez toutes les instructions d'installation avant de commencer l'installation. Si vous rencontrez des difficultés durant l'installation, rendez-vous sur le site www.fusionentertainment.com pour obtenir de l'aide sur le produit.

Contenu de l'emballage

- 2 haut-parleurs
- 12 vis de fixation cruciformes en acier inoxydable
 - Modèles de 4 po : 3,5 mm x 25,4 mm (calibre 6 x 1 po)
 - Modèles 6,5 et 7,7 po : 4,2 mm x 25,4 mm (calibre 8 x 1 po)
- Modèle de montage
- Grilles de haut-parleur

Outils requis

- Perceuse électrique
- Foret (la taille varie en fonction du matériel de la surface de montage)
- Tournevis cruciforme
- Dénude-fil
- Outil pour sertir
- Ruban isolant
- Scie appropriée ou couteau à lame rétractable pour découper le matériel de la surface de montage
- Mastic d'étanchéité (facultatif)

REMARQUE : pour des installations sur mesure, des outils et du matériel supplémentaires peuvent être nécessaires.

Considérations relatives au montage

AVIS

Si vous installez le haut-parleur dans un endroit exposé au mauvais temps où à l'eau, installez-le sur une surface verticale. Si vous installez le haut-parleur à l'horizontale, face vers le haut, l'eau peut stagner autour du haut-parleur et causer des dommages.

Les performances de chaque haut-parleur reposent sur le choix d'un emplacement d'installation approprié. FUSION Si les haut-parleurs sont conçus pour fonctionner à peu près partout, la qualité de leur son dépend de la manière dont vous allez étudier leur installation.

- Afin de garantir des performances optimales, montez les haut-parleurs à un emplacement élevé sur le bateau. Le son est transmis à l'horizontale à partir des haut-parleurs. Si vous montez le haut-parleur bas sur le bateau, la qualité acoustique et le volume ne seront pas idéals.
- Si vous envisagez de monter les haut-parleurs à l'extérieur du bateau, vous devez les installer à un emplacement situé bien au-dessus de la ligne de flottaison afin d'éviter qu'ils ne soient immergés ou endommagés par les quais, les pilotis et autres installations. Quand ils sont installés correctement, ces haut-parleurs offrent en façade un indice de protection IP65. Tout contact avec l'eau et tout endommagement à l'arrière des haut-parleurs entraînent l'annulation de la garantie. Cela inclut les cas d'installation des haut-parleurs dans un caisson clos, surtout si ce dernier est exposé aux projections d'eau. Si vous utilisez un caisson doté d'une ouverture ou d'une grille au contact de l'environnement extérieur, de l'eau risque de s'infiltrer et d'endommager les haut-parleurs.
- Choisissez les emplacements de montage des haut-parleurs de sorte que vous puissiez entendre le son provenant des deux haut-parleurs au même moment pour que la configuration acoustique soit idéale. Pour ce faire, ne montez pas les haut-parleurs côte à côte.
- Dans la mesure du possible, choisissez des emplacements de montage offrant un espace fermé à l'arrière de chaque haut-parleur.
- Choisissez des emplacements de montage qui fournissent suffisamment d'espace pour la profondeur de montage des haut-parleurs, conformément aux caractéristiques du produit.
- Pour optimiser les basses, choisissez des emplacements de montage où l'espace à l'arrière des haut-parleurs est suffisant, conformément aux recommandations de la section Caractéristiques techniques. Si la zone est trop petite, les basses sont moins fortes. En revanche, la zone ne doit pas être trop grande au risque de compromettre les performances des basses. De même, le fait de placer un haut-parleur à proximité d'une zone ouverte (quand le son provenant de l'arrière du haut-parleur traverse une très courte distance pour rejoindre le son sortant de la façade du haut-parleur) diminue les basses.
- Lorsqu'un haut-parleur n'est pas au contact de l'environnement extérieur, vous pouvez optimiser les basses en utilisant un caisson à enceinte réflexe.
- Vous pouvez consulter les paramètres Thiele Small (T/S) de la section Caractéristiques techniques si vous souhaitez fabriquer un caisson personnalisé pour vos haut-parleurs.
- Choisissez une surface de montage plate pour une meilleure étanchéité.
- Il est conseillé de protéger les fils du haut-parleur contre tout objet tranchant et de toujours utiliser des passe-câbles lorsque vous faites passer les fils dans des tableaux.
- Choisissez des emplacements de montage évitant tout obstacle potentiel, comme des flexibles hydrauliques ou des câbles.

- Protégez toutes les bornes et connexions contre les risques de court-circuit et isolez-les les unes des autres. Dans le cas contraire, le système audio pourrait être endommagé de manière irréversible et la garantie annulée.
- Pour éviter toute interférence avec un compas magnétique, montez les haut-parleurs en respectant la distance de sécurité indiquée dans les caractéristiques techniques du produit.
- Vous devez éteindre le système audio avant de procéder à tout branchement à l'appareil source, à l'amplificateur ou au haut-parleur. Dans le cas contraire, le système audio pourrait être endommagé de manière irréversible.

Installation des haut-parleurs

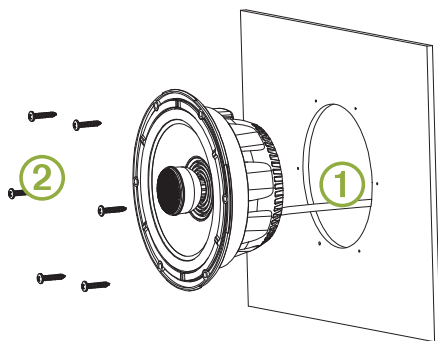
Avant d'installer les haut-parleurs, vous devez choisir un emplacement adapté, en suivant les recommandations précédentes.

Avant de découper la surface de montage, vous devez vous assurer que l'espace derrière la surface est suffisant pour accueillir le haut-parleur. Consultez les informations sur l'espace à respecter.

AVIS

N'appliquez ni graisse ni lubrifiant sur les vis utilisées pour l'installation des haut-parleurs sur la surface de montage. Ces substances risquent d'endommager le revêtement des haut-parleurs.

- 1 Acheminez les fils de la source vers l'emplacement du haut-parleur, en les éloignant des sources d'interférences électroniques.
- 2 Découpez le modèle et assurez-vous que le caisson de basse s'adapte à l'emplacement choisi.
- 3 Orientez le modèle de manière à ce que le logo FUSION sur le modèle soit dans le bon sens.
- 4 Fixez le modèle sur l'emplacement choisi.
- 5 À l'aide d'une scie circulaire ou d'une scie sauteuse, découpez la surface de montage le long de la ligne du modèle.
- 6 Placez le haut-parleur dans la découpe pour vérifier l'ajustement.
- 7 Au besoin, utilisez une lime et du papier de verre pour affiner le contour de la découpe.
- 8 Lorsque le haut-parleur est bien ajusté au contour, assurez-vous que les trous de montage sur le haut-parleur s'alignent sur les trous d'implantation du modèle.
- 9 Si les trous de montage sur le haut-parleur ne sont pas alignés, repérez les nouveaux emplacements des trous.
- 10 Percez les trous à l'aide d'un foret de taille adaptée à la surface de montage et au type de vis.
- 11 Retirez le modèle de la surface de montage.
- 12 Connectez les fils du haut-parleur ① en tenant compte de la polarité (*Branchement du haut-parleur*, page 7).



13 Si besoin, connectez les fils des voyants LED (*Branchement des voyants LED*, page 7).

14 Placez le haut-parleur dans la découpe.

15 Fixez le haut-parleur à la surface de montage à l'aide des vis fournies ②.

REMARQUE : ne serrez pas les vis outre mesure, surtout si la surface de montage n'est pas plate.

16 Une fois les haut-parleurs installés, tenez la grille en orientant le logo FUSION vers le bas, soit en position 6 h.

17 Tournez la grille dans le sens inverse des aiguilles d'une montre d'environ 30 degrés, afin que le logo FUSION se retrouve en position 5 h.

18 Placez la grille sur le haut-parleur tournez-la dans le sens des aiguilles d'une montre pour la fixer.

REMARQUE : au lieu de tourner la grille pour l'installer, vous pouvez l'aligner de manière à ce que le logo FUSION se trouve en position 6 heures et appuyer pour la mettre en place.

Branchement du haut-parleur

Lorsque vous branchez les haut-parleurs à votre chaîne stéréo, prenez en compte les éléments suivants.

- Les fils pour haut-parleur ne sont pas inclus avec les haut-parleurs. Vous devez utiliser un fil pour haut-parleur 0,82 mm² (18 AWG) ou plus épais pour connecter les haut-parleurs à la chaîne stéréo.
- Vous pouvez mettre des connecteurs à cosse plate mâle au bout des fils des haut-parleurs. Pour connecter le fil pour haut-parleur aux fils du haut-parleur et optimiser la connexion, nous vous conseillons d'utiliser des connecteurs à cosse plate femelles (non inclus).
- Vous pouvez consulter ce tableau pour connaître la polarité et la taille des connecteurs à cosse plate des fils du haut-parleur.

Couleur du fil du haut-parleur	Polarité du fil du haut-parleur	Taille du connecteur à cosse plate
Blanc	Positif (+)	6,3 mm
Blanc avec une ligne noire	Négatif (-)	4,8 mm

Branchement des voyants LED

Connexion des fils des voyants LED

Vous pouvez contrôler la couleur des voyants LED en connectant les fils des voyants à la terre. Vous pouvez joindre le fil de terre à plusieurs fils de voyant LED pour personnaliser les couleurs des voyants.

REMARQUE : cette fonction est disponible uniquement sur le modèle Sports.

REMARQUE : au lieu de connecter les fils des voyants LED à une couleur chacun, vous pouvez installer une télécommande pour allumer ou éteindre les voyants, changer la couleur et créer des effets de lumière. Contactez votre revendeur FUSION ou visitez le site www.fusionentertainment.com pour en savoir plus.

Le fil noir du câble des voyants LED se termine par un connecteur femelle de 4 mm et les fils de couleur se terminent par un connecteur mâle de 4 mm. Vous pouvez connecter ces connecteurs aux connecteurs 4 mm sur vos fils (non inclus) ou les enlever pour brancher vos fils nus à la place.

- 1 Connectez un fil positif sur le fil noir du câble des voyants LED.
- 2 Connectez un fil de terre sur le fil du câble des voyants LED en fonction de la couleur que vous avez choisie pour les voyants.

Couleur du voyant	Couleurs du fil de voyant LED
Rouge	Rouge
Vert	Vert
Bleu	Bleu
Jaune	Rouge et vert
Magenta	Rouge et bleu
Cyan	Bleu et vert
Blanc	Rouge, vert et bleu

- 3 Acheminez les fils positifs et négatifs et connectez-les à une source d'alimentation (*Connexion des fils des voyants LED à l'alimentation, page 8*).

Connexion des fils des voyants LED à l'alimentation

REMARQUE : cette fonction est uniquement disponible sur le modèle Sports.

Vous devez connecter tous les fils 12 V c.c. des voyants LED sur un fusible 3 A au bout du câble de la source d'alimentation. Vous devez connecter le fil d'alimentation positif (+) à une source d'alimentation 12 V c.c. à l'aide d'un sectionneur ou d'un disjoncteur afin d'allumer et d'éteindre les voyants LED. Vous pouvez utiliser le même sectionneur ou disjoncteur que vous utilisez pour contrôler l'alimentation de votre chaîne stéréo, ce qui vous permet d'allumer et d'éteindre les voyants LED et la chaîne stéréo en même temps.

Vous devez utiliser un fil 0,33 mm² (22 AWG) ou plus épais pour connecter les voyants LED à la batterie.

- 1 Acheminez le fil d'alimentation positif (+) et le fil de terre négatif (-) depuis les connecteurs des fils de voyants LED jusqu'à la batterie.
- 2 Connectez le fil négatif à la borne négative (-) de la batterie.
- 3 Connectez le fil positif à la borne positive (+) à l'aide d'un fusible de 3 A et d'un sectionneur ou d'un disjoncteur.

Informations sur les haut-parleurs

True-MarineProduits

Les produits True-Marine sont soumis à des essais d'environnement rigoureux lors de conditions maritimes difficiles afin de dépasser les recommandations du secteur.

Les produits portant la certification True-Marine ont été conçus dans une optique d'ergonomie et allient des technologies avancées pour la mer afin de proposer une expérience ludique inégalée. Tous les produits True-Marine sont fournis avec la garantie limitée de trois ans FUSION pour les produits grand public.

Enregistrement de votre XS Series

Aidez-nous à mieux vous servir en remplissant dès aujourd'hui notre formulaire d'enregistrement en ligne.

- Rendez-vous sur le site www.fusionentertainment.com.
- Conservez en lieu sûr l'original de la facture ou une photocopie.

Nettoyage des haut-parleurs

REMARQUE : s'ils sont installés correctement, ces haut-parleurs respectent la norme IP65 en matière de protection contre les infiltrations d'eau et de poussière, dans des conditions d'utilisation normales. Ils ne sont pas conçus pour résister à des jets d'eau puissants, comme lorsque vous lavez votre bateau au jet. Si vous ne faites pas attention au moment de laver votre bateau au jet, vous risquez d'endommager le produit et d'annuler la garantie.

AVIS

N'utilisez aucun produit nettoyant abrasif ni à base de solvant sur les haut-parleurs. L'utilisation de ce type de produit risque d'endommager l'appareil et d'annuler la garantie.

- 1 Nettoyez l'eau salée et les résidus de sel sur le haut-parleur à l'aide d'un chiffon humidifié avec de l'eau douce.
- 2 Utilisez un détergent doux pour ôter l'accumulation de sel ou les taches.

Dépannage

Avant de contacter votre revendeur ou centre de services FUSION, suivez quelques étapes simples de dépannage afin de diagnostiquer le problème qui vous concerne par vous-même.

Si le haut-parleur FUSION a été installé par une entreprise d'installation, prenez contact avec cette entreprise afin que les techniciens puissent localiser le problème et vous conseiller sur d'éventuelles solutions.

Aucun son ne sort des haut-parleurs

- Vérifiez que toutes les connexions de l'appareil source ou de l'ampli sont correctement effectuées vers les bornes du haut-parleur.

Le système manque de fréquences basses ou aiguës

- Vérifiez que la polarité des fils est bien respectée entre la source et les haut-parleurs.
Les fils doivent être connectés de la façon suivante : borne positive à positive, borne négative à négative.
- Vérifiez que les haut-parleurs sont bien fixés à la surface de montage.

Le son est déformé

- Vérifiez que le volume à la source n'est pas trop élevé pour le haut-parleur et réduisez-le si besoin.
- Vérifiez que les tableaux disposés autour du haut-parleur du bateau ne s'entrechoquent pas.
- Vérifiez que l'appareil source ou l'ampli sont correctement connectés aux bornes du haut-parleur.
- Si le haut-parleur est connecté à un ampli, vérifiez que le niveau d'entrée de l'ampli correspond bien au niveau de sortie de la chaîne stéréo. Pour plus d'informations, consultez le manuel de l'ampli.

Les voyants LED ne s'allument pas

- Veillez à ce que toutes les connexions de câbles soient correctes et bien serrées.

Caractéristiques techniques

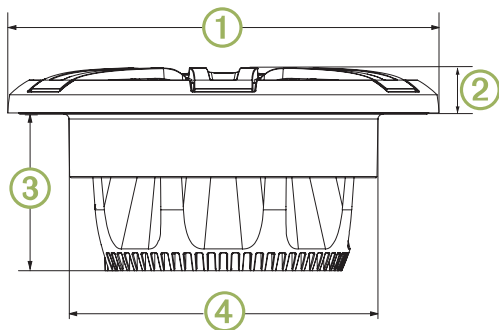
Caractéristique	Haut-parleurs 4 po	Haut-parleurs 6,5 po	Haut-parleurs 7,7"
Pic de puissance (watts)	120 W	200 W	240 W
Puissance RMS (watts)	30 W	50 W	60 W
Efficacité (1 W/1 m)	87 dB	91 dB	92 dB
Réponse en fréquence	De 100 Hz à 18 000 Hz	De 80 Hz à 18 000 Hz	De 70 Hz à 18 000 Hz
Impédance nominale	4 ohms		
Puissance recommandée pour l'ampli (RMS)	De 15 à 80 W par canal	De 20 à 150 W par canal	De 25 à 200 W par canal
Profondeur de montage minimale (dégagement)	54 mm (2 1/8 po)	67 mm (2 5/8 po)	77 mm (3 po)
Diamètre de montage (dégagement)	99 mm (3 7/8 po)	135 mm (5 5/16 po)	162 mm (6 3/8 po)
Recommandation de volume optimal pour le caisson*	4 L (0,14 pi ³)	8 L (0,28 pi ³)	10 L (0,28 pi ³)

Caractéristique	Haut-parleurs 4 po	Haut-parleurs 6,5 po	Haut-parleurs 7,7"
Options de couleur pour les voyants LED (haut-parleurs modèle Sports uniquement)	Non applicable	RGB	
Tension d'alimentation pour voyants LED (haut-parleurs modèle sports uniquement)	Non applicable	De 10,8 à 16 V c.c.	
Courant de charge des voyants LED à 14,4 V c.c. (haut-parleurs modèle sports uniquement)	Non applicable	150 mA	
Plage de températures de fonctionnement	De 0 à 50 °C (de 32 à 122 °F)		
Plage de températures de stockage	De -20 à 70°C (de -4 à 158°F)		
Matériau du cône et de la membrane	Cône en polypropylène et membrane en caoutchouc	Cône en polypropylène et membrane en tissu	
Degré de résistance à l'eau et à la poussière	IEC 60529 IP65 (protégé contre les infiltrations d'eau et de poussière)		

*Caisson clos, entièrement rempli de matériau absorbant.

REMARQUE : ce haut-parleur n'a pas été conçu pour être installé dans un caisson à évent ou bass-reflex lorsqu'il est exposé à l'extérieur.

Dimensions du haut-parleur



Dimensions	Haut-parleurs 4 po	Haut-parleurs 6,5 po	Haut-parleurs 7,7"
①	135 mm (5 3/16 po)	177 mm (6 15/16 po)	196 mm (7 11/16 po)
②	Grille classique : 17 mm (11/16 po)	Grille classique : 17 mm (11/16 po) Grille Sports : 19 mm (3/4 po)	Grille classique : 20 mm (3/4 po) Grille Sports : 23 mm (7/8 po)
③	51 mm (2 po)	64 mm (2 1/2 po)	74 mm (2 7/8 po)
④	95 mm (3 3/4 po)	130 mm (5 1/8 po)	157 mm (6 3/16 po)

Distances de sécurité du compas

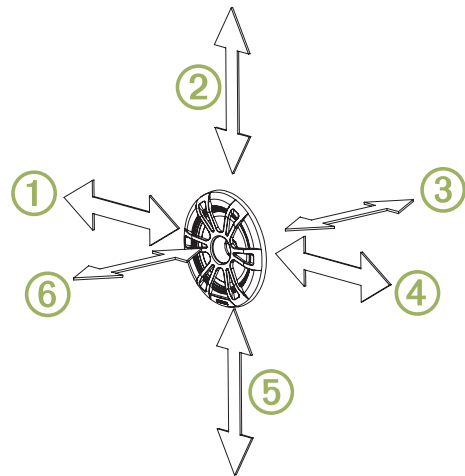
Tous les haut-parleurs contiennent des aimants susceptibles de provoquer des interférences avec les instruments présents sur votre bateau. La taille de l'aimant utilisé dans le haut-parleur joue sur le degré d'intensité de l'interférence qu'il peut entraîner.

Les interférences peuvent provoquer des écarts et des inexactitudes dans les lectures fournies par les équipements de navigation sensibles, comme les compas magnétiques. Ces écarts peuvent entraîner des lectures inexactes ou décalées sans avoir de conséquences néfastes sur les équipements en question. Pour réduire ces écarts, ajustez le compas en prenant

compte de la valeur de décalage, conformément aux instructions du fabricant, ou éloignez le haut-parleur de l'équipement de navigation. Quand vous déplacez une source d'interférence, vous devrez peut-être procéder au réétalonnage du compas.

Si seul un compas magnétique vous guide pendant la navigation, soyez très prudent lorsque vous éloignez le haut-parleur du compas afin d'éviter de provoquer des écarts de lecture.

Pour éviter les écarts dans votre équipement de navigation, éloignez les haut-parleurs en respectant les distances minimum répertoriées dans le tableau ci-dessous.



Direction depuis le haut-parleur	Haut-parleurs 4 po	Haut-parleurs 6,5 po	Haut-parleurs 7,7"
①	185 cm (6 pi 1 po)	250 cm (8 pi 2 po)	275 cm (9 pi)
②	185 cm (6 pi 1 po)	245 cm (8 ft)	275 cm (9 pi)
③	255 cm (8 pi 5 po)	310 cm (10 pi 2 po)	400 cm (33 pi 4 po)
④	185 cm (6 pi 1 po)	255 cm (8 pi 4 po)	275 cm (9 pi)
⑤	185 cm (6 pi 1 po)	230 cm (7 pi 6 po)	275 cm (9 pi)
⑥	230 cm (7 pi 7 po)	280 cm (9 pi 2 po)	385 cm (12 pi 7 po)

Paramètres Thiele Small

Vous pouvez utiliser les paramètres Thiele Small (T/S) si vous souhaitez fabriquer des caissons personnalisés pour vos haut-parleurs.

REMARQUE : les paramètres Thiele Small peuvent varier en fonction de l'environnement et de la fréquence d'utilisation du haut-parleur. Ces valeurs peuvent vous servir de guide pour la conception de votre caisson.

Paramètre T/S	Haut-parleurs 4 po	Haut-parleurs 6,5 po	Haut-parleurs 7,7 po
Facteur de qualité électrique (Q _{es})	1,80	1,05	0,7
Facteur de qualité mécanique (Q _{ms})	4,40	4,80	3,6
Facteur de qualité total (Q _{ts})	1,28	0,86	0,59
Fréquence de résonance (F _s)	128	82	72
Charge d'air équivalente (V _{as})	1,6	7,6	10,4

Altoparlanti XS Series Istruzioni di installazione

Informazioni importanti sulla sicurezza

⚠ AVVERTENZA

La mancata osservanza delle seguenti avvertenze e avvisi potrebbe causare lesioni personali, danni al veicolo o all'imbarcazione o scarse prestazioni del prodotto.

Questo dispositivo deve essere installato attenendosi alle seguenti istruzioni.

Scollegare l'alimentazione del veicolo o dell'imbarcazione prima di installare il prodotto.

⚠ ATTENZIONE

L'esposizione costante a livelli di pressione audio superiori a 100 dBA può causare perdita di udito permanente.

Generalmente il volume è troppo alto se non si riescono a sentire le persone che parlano. Limitare la quantità di tempo in cui si utilizza il volume alto. Se si avvertono fischi alle orecchie o suoni ovattati, interrompere l'ascolto e far controllare l'udito.

Durante le operazioni di foratura, taglio o carteggiatura, indossare degli occhiali protettivi, una maschera antipolvere e un'adeguata protezione per l'udito.

AVVISO

Prima di effettuare fori o tagli verificare l'eventuale presenza di oggetti nel lato opposto della superficie da tagliare.

Per prestazioni ottimali, è consigliata l'installazione del sistema audio da parte di un tecnico specializzato.

Leggere tutte le istruzioni di installazione prima di iniziare l'installazione. In caso di difficoltà durante l'installazione, visitare il sito Web www.fusionentertainment.com per assistenza relativa ai prodotti.

Contenuto della confezione

- 2 altoparlanti
- 12 viti di montaggio Phillips in acciaio inossidabile
 - Modelli da 4 poll.: 3,5 mm x 25,4 mm (6 x 1 poll.)
 - Modelli da 6,5 poll. e 7,7 poll.: 4,2 mm x 25,4 mm (8 x 1 poll.)
- Dima per il montaggio
- Griglie degli altoparlanti

Strumenti necessari per l'installazione

- Trapano elettrico
- Punta da trapano (la dimensione varia in base al materiale della superficie)
- Cacciavite Phillips
- Spelacavi
- Crimpatrice
- Nastro isolante
- Sega o taglierino per tagliare il materiale della superficie
- Sigillante marino (opzionale)

NOTA: per le installazioni personalizzate, potrebbero essere necessari altri strumenti e materiali.

Informazioni sull'installazione

AVVISO

Se l'altoparlante viene installato all'esterno, è necessario montarlo su una superficie verticale. Se l'altoparlante viene montato su una superficie orizzontale rivolto verso l'alto, è possibile che l'acqua penetri al suo interno o si accumuli nell'area circostante, causando danni nel tempo.

Selezionare la posizione di installazione corretta è fondamentale per ottimizzare le prestazioni di ciascun altoparlante. Gli altoparlanti FUSION sono progettati per funzionare nella gamma più ampia possibile di posizioni di installazione, tuttavia maggiore sarà la pianificazione dell'installazione, migliore sarà la qualità dell'audio emesso dagli altoparlanti.

- Per prestazioni ottimali, gli altoparlanti devono essere installati in una parte alta dell'imbarcazione. L'audio viaggia nella direzione verso la quale sono rivolti gli altoparlanti, pertanto se questi sono installati in una posizione bassa, la qualità del suono e il volume non saranno ottimali.
- Per installare gli altoparlanti al di fuori dell'imbarcazione, scegliere una posizione nettamente sopra la superficie dell'acqua, in modo tale che non vengano sommersi né danneggiati da pontili, piloni o altre strutture. Se montati correttamente, la parte anteriore degli altoparlanti ha un grado di protezione IP65. L'esposizione all'acqua e i danni alla parte posteriore dell'altoparlante invalidano la garanzia. Ciò include l'installazione in un involucro sigillato, specialmente se lavabile. L'uso di un involucro con porta o ventola esposta all'esterno potrebbe permettere all'acqua di accumularsi e danneggiare l'altoparlante.
- Le posizioni di installazione devono permettere di udire i suoni provenienti da entrambi gli altoparlanti contemporaneamente per raggiungere un effetto audio diffuso. Per ottenere questo effetto, non montare gli altoparlanti uno di fianco all'altro.
- Laddove possibile, selezionare posizioni di montaggio in cui l'area retrostante a ciascun altoparlante sia chiusa.
- Le posizioni di installazione dell'altoparlante devono fornire ingombro sufficiente alla profondità di installazione degli altoparlanti, come indicato nelle specifiche del prodotto.
- Per ottenere prestazioni ottimali dei bassi, le posizioni di montaggio devono fornire uno spazio adeguato dietro l'altoparlante come indicato nella sezione delle specifiche del prodotto. Un'area troppo ridotta limita i bassi e un'area troppo vasta compromette le prestazioni dei bassi. Inoltre, posizionare un altoparlante vicino a un'area aperta (in cui il suono proveniente dalla parte posteriore dell'altoparlante ha un percorso molto breve rispetto all'audio proveniente dalla parte anteriore dell'altoparlante) produce bassi più attenuati.
- Se l'altoparlante non viene montato all'esterno, è possibile raggiungere una qualità ottimale dei bassi utilizzando un involucro con porta.
- Fare riferimento ai parametri Thiele Small (T/S) nella sezione delle caratteristiche tecniche per creare un involucro personalizzato per gli altoparlanti.
- Selezionare una superficie di installazione piatta per sigillare in modo ottimale.
- Proteggere i cavi dell'altoparlante da oggetti acuminati e utilizzare sempre occhielli di gomma per i cablaggi nei pannelli.
- La posizione di installazione deve evitare potenziali ostacoli, ad esempio carburante, tubi idraulici e cavi.
- Proteggere tutti i terminali e le connessioni da incagliamenti. In caso contrario potrebbero verificarsi danni permanenti al sistema audio che invalideranno la garanzia del prodotto.
- Per evitare interferenze con una bussola magnetica, installare gli altoparlanti rispettando la distanza di sicurezza dalla bussola indicata nelle specifiche del prodotto.
- Il sistema audio deve essere spento prima di effettuare qualsiasi collegamento all'unità sorgente, all'amplificatore o all'altoparlante. In caso contrario potrebbero verificarsi danni permanenti al sistema audio.

Installazione degli altoparlanti

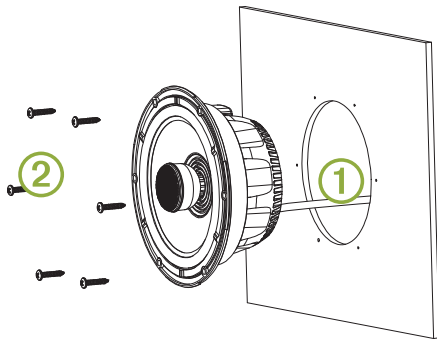
Prima di installare gli altoparlanti, scegliere una posizione seguendo le linee guida precedenti.

Prima di tagliare la superficie di montaggio è necessario verificare che lo spazio dietro alla superficie sia sufficiente ad ospitare l'altoparlante. Fare riferimento alle caratteristiche tecniche per informazioni sull'ingombro.

AVVISO

Non applicare grasso o lubrificante alle viti durante il fissaggio degli altoparlanti alla superficie di montaggio. Il grasso o altri lubrificanti possono causare danni all'alloggiamento degli altoparlanti.

- 1 Passare i cavi dalla sorgente alla posizione degli altoparlanti, lontano da fonti di interferenza elettrica.
- 2 Rifinire la dima e accertarsi che sia idonea per la posizione selezionata.
- 3 Orientare la dima affinché il logo FUSION risulti in alto a destra sulla dima.
- 4 Fissare la dima nella posizione di installazione.
- 5 Tagliare con una sega o con uno strumento a rotazione la superficie di installazione seguendo l'interno della linea sulla dima.
- 6 Posizionare l'altoparlante nel foro per verificare l'ingombro.
- 7 Se necessario, utilizzare una lima e della carta abrasiva per rifinire l'incasso.
- 8 Dopo aver inserito correttamente l'altoparlante nell'incasso, accertarsi che i fori di montaggio su quest'ultimo siano allineati ai fori di riferimento sulla dima.
- 9 Se i fori non sono allineati segnare la nuova posizione corretta.
- 10 Con una punta da trapano di dimensioni compatibili con la superficie di installazione e con il tipo di viti, praticare i fori.
- 11 Rimuovere la dima dalla superficie di installazione.
- 12 Collegare i cavi dell'altoparlante ① osservando la polarità (*Cavi dell'altoparlante, pagina 12*).



- 13 Se necessario, collegare i cavi LED (*Cavi LED, pagina 12*).
- 14 Posizionare l'altoparlante nella sagoma ritagliata.
- 15 Fissare l'altoparlante alla superficie di installazione utilizzando le viti in dotazione ②.
NOTA: non serrare eccessivamente le viti, specialmente se la superficie di installazione non è piana.
- 16 Con gli altoparlanti installati, posizionare la griglia con il logo FUSION rivolto verso la parte inferiore oppure posizionato a ore 6.
- 17 Ruotare la griglia in senso antiorario di circa 30 gradi, in modo che il logo FUSION sia posizionato a ore 5.
- 18 Posizionare la griglia sull'altoparlante e ruotarla in senso orario per fissarla.

NOTA: anziché ruotare per installare la griglia, è possibile allinearla dall'alto affinché il logo FUSION sia posizionato a ore 6 e premerla per farla scattare in posizione.

Cavi dell'altoparlante

Quando si collegano gli altoparlanti allo stereo, osservare quanto segue.

- Il cavo dell'altoparlante non è incluso con gli altoparlanti. Utilizzare un cavo per altoparlante da 18 AWG (0,82 mm²) per collegare gli altoparlanti allo stereo.
- Per terminare i fili degli altoparlanti vengono utilizzati connettori maschio a forcella. Per un collegamento ottimale, utilizzare connettori femmina a forcella (non inclusi) per collegare il cavo dell'altoparlante ai fili elettrici dell'altoparlante.
- È possibile utilizzare questa tabella per identificare la polarità e le dimensioni dei connettori a forcella dei fili elettrici sull'altoparlante.

Colore del cavo dell'altoparlante	Polarità del cavo dell'altoparlante	Dimensioni del connettore a forcella
Bianco	Positivo (+)	6,3 mm
Bianco con una striscia nera	Negativo (-)	4,8 mm

Cavi LED

Collegamento dei cavi LED

È possibile controllare il colore dei LED collegando i relativi cavi a terra. È possibile congiungere il cavo di terra ai diversi cavi LED per personalizzare il colore del LED.

NOTA: questa funzione è disponibile solo sul modello Sport.

NOTA: anziché collegare i cavi LED per un solo colore dedicato, è possibile installare un telecomando per spegnere e accendere i LED, cambiare il colore e creare effetti di luce. Per ulteriori informazioni, contattare il rivenditore FUSION o www.fusionentertainment.com.

Il cavo nero sul cavo del LED termina con un connettore a proiettile femmina da 4 mm e i cavi colorati terminano con connettori a proiettile maschio da 4 mm. È possibile collegare questi connettori a proiettile da 4 mm ai propri cavi (non inclusi) o rimuovere i connettori a proiettile per collegarli ai cavi privi di protezione.

- 1 Collegare un cavo positivo al cavo nero sul cavo del LED.
- 2 Collegare un cavo di terra al filo sul cavo LED in base al colore LED preferito.

Colore del LED	Colore del cavo LED
Rosso	Rosso
Verde	Verde
Blu	Blu
Giallo	Rosso e verde
Magenta	Rosso e blu
Ciano	Blu e verde
Bianco	Rosso, verde e blu

- 3 Passare i cavi positivi e negativi e collegarli a una fonte di alimentazione (*Collegamento dei cavi LED all'alimentazione, pagina 12*).

Collegamento dei cavi LED all'alimentazione

NOTA: questa funzione è disponibile solo sul modello Sport.

È necessario collegare tutti i cavi da 12 V cc dei LED a un fusibile 3 A nell'estremità della fonte di alimentazione del cavo. Collegare il cavo di alimentazione positivo (+) a una fonte di alimentazione 12 V cc tramite un interruttore/sezionatore o un interruttore automatico per accendere e spegnere i LED. È possibile utilizzare lo stesso interruttore/sezionatore o interruttore automatico che controlla l'alimentazione dello stereo

per accendere e spegnere contemporaneamente i LED e lo stereo.

Utilizzare un cavo da 22 AWG (0,33 mm²) o di maggior spessore per collegare i LED alla batteria.

- 1 Passare i cavi di alimentazione positivi (+) e i cavi i terra negativi (-) dai collegamenti dei cavi LED alla batteria.
- 2 Collegare il cavo negativo al terminale negativo (-) della batteria.
- 3 Collegare il cavo positivo al terminale positivo (+) mediante un fusibile 3 A e un interruttore/sezionatore o interruttore automatico.

Informazioni sugli altoparlanti

Prodotti True-Marine

I prodotti True-Marine sono soggetti a rigorosi test ambientali in condizioni marine difficili per superare le linee guida del settore dei prodotti per la nautica.

I prodotti che includono il bollino di garanzia True-Marine sono stati progettati per la semplicità d'uso e combinano le tecnologie per la nautica più avanzate per offrire un'esperienza di intrattenimento leader del settore. Tutti i prodotti True-Marine sono supportati dalla garanzia mondiale del consumatore FUSION limitata di 3 anni.

Registrazione del XS Series

Per un'assistenza completa, eseguire subito la registrazione in linea.

- Visitare il sito Web www.fusionentertainment.com.
- Conservare in un luogo sicuro la ricevuta di acquisto originale o la fotocopia.

Pulizia degli altoparlanti

NOTA: se montati correttamente, questi altoparlanti hanno una classificazione di protezione IP65 da polvere e infiltrazioni d'acqua in condizioni normali. Non sono progettati per resistere a spruzzi d'acqua ad alta pressione, che potrebbero verificarsi durante il lavaggio dell'imbarcazione. Gli spruzzi d'acqua possono danneggiare il prodotto e invalidare la garanzia.

AVVISO

Non utilizzare detergenti aggressivi o a base di solventi sugli altoparlanti. L'uso di tali detergenti può danneggiare il prodotto e invalidare la garanzia.

- 1 Rimuovere l'acqua salata e i residui di sale dall'altoparlante con un panno soffice inumidito con acqua dolce.
- 2 Utilizzare un detergente delicato per rimuovere gli accumuli di sale o le macchie d'acqua.

Risoluzione dei problemi

Prima di contattare il rivenditore FUSION o il centro assistenza, effettuare una semplice procedura per diagnosticare il problema.

Se l'altoparlante FUSION è stato installato da una ditta di installazione professionale, contattare la ditta in modo che i tecnici possano valutare il problema e fornire possibili soluzioni.

Dagli altoparlanti non proviene alcun suono

- Verificare che tutte le connessioni dal dispositivo sorgente e/o dall'amplificatore siano collegate correttamente ai terminali dell'altoparlante.

Il sistema non trasmette le frequenze alte o basse

- Verificare che la polarità dei cavi sia rispettata tra la sorgente e gli altoparlanti.
I cavi devono essere collegati da positivo a positivo e da negativo a negativo.
- Verificare che gli altoparlanti siano collegati saldamente alla superficie di installazione.

L'audio è distorto

- Verificare che il volume della sorgente non sia troppo alto per l'altoparlante e ridurre il volume se necessario.
- Verificare che i pannelli che circondano l'altoparlante sull'imbarcazione non emettano fruscii.
- Verificare che il dispositivo sorgente e/o l'amplificatore siano collegati correttamente ai terminali dell'altoparlante.
- Se l'altoparlante è collegato a un amplificatore, verificare che il livello di input dell'amplificatore corrisponda al livello di output dello stereo. Per ulteriori informazioni, consultare il manuale dell'amplificatore.

Le luci LED non si accendono

- Verificare che tutti i collegamenti dei cavi siano corretti e saldi.

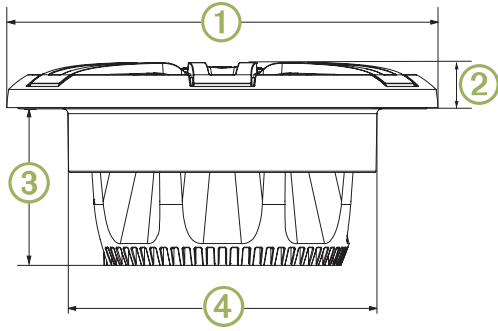
Specifiche

Specifica	Altoparlanti da 4"	Altoparlanti da 6,5"	Altoparlanti da 7,7"
Potenza picco (Watt)	120 W	200 W	240 W
Potenza RMS (Watt)	30 W	50 W	60 W
Efficienza (1 W/ 1 m)	87 dB	91 dB	92 dB
Risposta in frequenza	Da 100 Hz a 18.000 Hz	Da 80 Hz a 18.000 Hz	Da 70 Hz a 18.000 Hz
Impedenza nominale	4 ohm		
Potenza amplificatore consigliata (RMS)	Da 15 a 80 W per canale	Da 20 a 150 W per canale	Da 25 a 200 W per canale
Minima minima (ingombro)	54 mm (2 1/8 poll.)	67 mm (2 5/8 poll.)	77 mm (3 poll.)
Diametro di installazione (ingombro)	99 mm (3 7/8 poll.)	135 mm (5 5/16 poll.)	162 mm (6 3/8 poll.)
Nota sul volume di rivestimento ottimale*	4 L (0,14 piedi ³)	8 L (0,28 piedi ³)	10 L (0,28 piedi ³)
Opzioni dei colori LED (solo negli altoparlanti modello Sport)	N/D	RGB	
Tensione di alimentazione LED (solo per gli altoparlanti modello Sport)	N/D	Da 10,8 a 16 V cc	
Corrente di carico LED a 14,4 V cc (solo per gli altoparlanti modello Sport)	N/D	150 mA	
Temperatura operativa	Da 0 a 50 °C (da 32 a 122 °F)		
Temperatura di stoccaggio	Da -20 a 70 °C (da -4 a 158 °F)		
Materiale del cono/rivestimento	Cono di polipropilene, rivestimento in gomma	Cono di polipropilene, rivestimento in tessuto	
Classificazione di impermeabilità e resistenza alla polvere	IEC 60529 IP65 (protezione contro polvere e infiltrazioni d'acqua).		

*Rivestimento sigillato, riempito completamente con materiale assorbente.

NOTA: se utilizzato all'aperto, non installare l'altoparlante in un involucro con ventole o porte.

Dimensioni dell'altoparlante



Dimensione	Altoparlanti da 4"	Altoparlanti da 6,5"	Altoparlanti da 7,7"
①	135 mm (5 5/16 poll.)	177 mm (6 15/16 poll.)	196 mm (7 11/16 poll.)
②	Griglia del modello Classico: 17 mm (11/16 poll.)	Griglia del modello Classico: 17 mm (11/16 poll.) Griglia del modello Sport: 19 mm (3/4 poll.)	Griglia del modello Classico: 20 mm (3/4 poll.) Griglia del modello Sport: 23 mm (7/8 poll.)
③	51 mm (2 poll.)	64 mm (2 1/2 poll.)	74 mm (2 7/8 poll.)
④	95 mm (3 3/4 poll.)	130 mm (5 1/8 poll.)	157 mm (6 3/16 poll.)

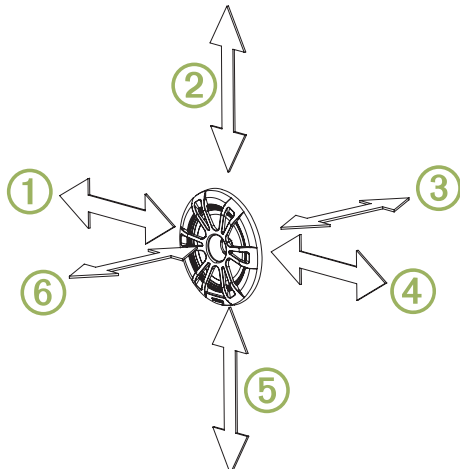
Distanze di sicurezza dalla bussola

Tutti gli altoparlanti contengono magneti che possono causare interferenze con le strumentazioni sull'imbarcazione. La dimensione del magnete utilizzato nell'altoparlante influisce sulla quantità di interferenza causata dall'altoparlante.

L'interferenza può causare deviazioni e variazioni nelle letture delle apparecchiature di navigazione sensibili, ad esempio le bussole magnetiche. Tali deviazioni possono causare imprecisioni o differenze nelle letture, ma non causeranno danni alle apparecchiature. Per ridurre le deviazioni, regolare la bussola per la deviazione attenendosi alle istruzioni fornite dal produttore o allontanare l'altoparlante dalle apparecchiature di navigazione. Dopo aver spostato una fonte di interferenza, è possibile ricalibrare la bussola.

Se durante la navigazione viene utilizzata esclusivamente una bussola magnetica, accertarsi di posizionare l'altoparlante sufficientemente lontano dalla bussola per evitare di causare deviazioni nelle letture.

Per evitare deviazioni alle apparecchiature di navigazione, posizionare gli altoparlanti alla distanza minima indicata nella tabella riportata di seguito dalle apparecchiature di navigazione.



Direzione dall'altoparlante	Altoparlanti da 4"	Altoparlanti da 6,5"	Altoparlanti da 7,7"
①	185 cm (6 piedi 1 poll.)	250 cm (8 piedi 2 poll.)	275 cm (9 piedi)
②	185 cm (6 piedi 1 poll.)	245 cm (8 piedi)	275 cm (9 piedi)
③	255 cm (8 piedi 5 poll.)	310 cm (10 piedi 2 poll.)	400 cm (33 piedi 4 poll.)
④	185 cm (6 piedi 1 poll.)	255 cm (8 piedi 4 poll.)	275 cm (9 piedi)
⑤	185 cm (6 piedi 1 poll.)	230 cm (7 piedi 6 poll.)	275 cm (9 piedi)
⑥	230 cm (7 piedi 7 poll.)	280 cm (9 piedi 2 poll.)	385 cm (12 piedi 7 poll.)

Parametri Thiele Small

È possibile utilizzare i parametri Thiele Small (T/S) per creare involucri personalizzati per gli altoparlanti.

NOTA: i parametri Thiele/Small variano in base ai modelli, all'ambiente e all'usura dell'altoparlante. Questi valori fungono da guida per creare il design dell'involucro.

Parametro T/S	Altoparlanti da 4 poll.	Altoparlanti da 6,5 poll.	Altoparlanti da 7,7 poll.
Fattore Q elettrico (Q _{es})	1.80	1.05	0.7
Fattore Q meccanico (Q _{ms})	4.40	4.80	3.6
Fattore Q totale (Q _{ts})	1.28	0.86	0.59
Frequenza risonanza (F _s)	128	82	72
Carico aria equivalente (V _{come})	1.6	7.6	10.4

Lautsprecher der XS Series – Installationsanweisungen

Wichtige Sicherheitsinformationen

⚠️ WARNUNG

Wenn Sie die Warnungen und Vorsichtshinweise nicht beachten, könnte es zu Personenschäden, Schäden am Fahrzeug oder Boot oder zu einer schlechten Leistung des Produkts kommen.

Das Gerät muss gemäß diesen Anweisungen installiert werden.

Beginnen Sie erst mit der Installation dieses Produkts, wenn Sie die Stromversorgung des Fahrzeugs oder Boots getrennt haben.

⚠️ ACHTUNG

Wenn Sie fortwährend Schalldruckpegeln von mehr als 100 dBA ausgesetzt sind, können Sie Ihr Gehör dauerhaft schädigen. In der Regel ist die Lautstärke zu hoch eingestellt, wenn Sie Menschen, die sich in Ihrer Nähe unterhalten, nicht hören können. Begrenzen Sie in diesem Zusammenhang den Zeitraum, in dem Sie sich einer erhöhten Lautstärke aussetzen. Bei Klingelgeräuschen im Ohr oder der Wahrnehmung gedämpfter Töne sollten Sie das Anhören von Musik oder Ähnlichem einstellen und Ihr Gehör überprüfen lassen.

Tragen Sie beim Bohren, Schneiden und Schleifen immer Schutzbrille, Gehörschutz und eine Staubschutzmaske.

HINWEIS

Prüfen Sie beim Bohren oder Schneiden stets die andere Seite der zu bearbeitenden Fläche.

Es wird dringend empfohlen, das Audiosystem von Fachpersonal installieren zu lassen, um eine optimale Leistung zu erzielen.

Lesen Sie die gesamten Installationsanweisungen, bevor Sie mit der Installation beginnen. Sollten bei der Installation Probleme auftreten, finden Sie unter www.fusionentertainment.com Supportinformationen.

Lieferumfang

- 2 Lautsprecher
- 12 Kreuzschlitz-Befestigungsschrauben aus Edelstahl
 - 4-Zoll-Modelle: 3,5 x 25,4 mm (AWG 6 x 1 Zoll)
 - 6,5- und 7,7-Zoll-Modelle: 4,2 x 25,4 mm (AWG 8 x 1 Zoll)
- Montageschablone
- Lautsprechergitter

Erforderliches Werkzeug

- Elektrische Bohrmaschine
- Bohrer (die Größe variiert je nach Material der Oberfläche)
- Kreuzschlitzschraubendreher
- Seitenschneider
- Crimpzange
- Isolierband
- Geeignete Säge oder Teppichmesser zum Schneiden der Oberfläche
- Seewassertaugliches Dichtungsmittel (optional)

HINWEIS: Bei einer individuell angepassten Installation ist u. U. zusätzliches Werkzeug und Material erforderlich.

Hinweise zur Montage

HINWEIS

Bei der Montage des Lautsprechers in einem Bereich, der den Elementen oder Wasser ausgesetzt ist, müssen Sie die Lautsprecher an einer vertikalen Fläche montieren. Wenn Sie

den Lautsprecher nach oben ausgerichtet an einer horizontalen Fläche montieren, kann sich Wasser sowohl im Lautsprecher als auch darum sammeln, was langfristig zu Schäden führt.

Die Auswahl des richtigen Montageorts ist für eine optimale Leistung der einzelnen Lautsprecher unerlässlich. FUSION Lautsprecher wurden so entwickelt, dass sie an möglichst vielen Montageorten montiert werden können. Je besser Sie die Installation aber planen, desto besser wird der Klang der Lautsprecher sein.

- Die Lautsprecher bieten die beste Leistung, wenn sie an einer höheren Stelle des Boots montiert werden. Der Ton wird in die Richtung ausgegeben, in die die Lautsprecher weisen. Bei einer niedrigen Montage der Lautsprecher sind die Klangqualität und die Lautstärke u. U. nicht ideal.
- Wenn Sie die Lautsprecher an der Außenseite des Boots montieren möchten, müssen sie an einem Ort weit genug über der Wasserlinie montiert werden, sodass sie nicht ins Wasser eintauchen und nicht durch Docks, Pfeiler oder andere Teile beschädigt werden. Bei ordnungsgemäßer Montage entsprechen diese Lautsprecher der Schutzklasse IP65 für den Schutz auf der Vorderseite des Lautsprechers. Wenn die Rückseite des Lautsprechers Feuchtigkeit ausgesetzt wird oder sie beschädigt wird, führt dies zum Erlöschen der Garantie. Dies schließt auch Situationen ein, in denen die Lautsprecher in einem geschlossenen Gehäuse montiert sind, insbesondere, wenn sie abfließendem Wasser ausgesetzt sind. Bei Gehäusen mit einer Öffnung, die sich im Freien befindet, kann sich Wasser sammeln, was eine Beschädigung des Lautsprechers zur Folge haben kann.
- Wählen Sie die Montageorte der Lautsprecher so, dass Sie den Ton aus beiden Lautsprechern gleichzeitig hören, wie dies auf einer Bühne der Fall wäre. Hierzu sollten die Lautsprecher nicht nebeneinander montiert werden.
- Wählen Sie nach Möglichkeit Montageorte, an denen der Bereich hinter den Lautsprechern geschlossen ist.
- Wählen Sie Montageorte, an denen ausreichend Freiraum für die in den technischen Daten des Produkts angegebene Montagetiefe der Lautsprecher vorhanden ist.
- Verbessern Sie die Bassleistung, indem Sie Montageorte wählen, an denen hinter den Lautsprechern der entsprechende Freiraum vorhanden ist, wie in den technischen Daten in den Anforderungen für ein optimales Gehäuse angegeben. Ist der Platz zu klein, wird der Bass gehemmt. Ist er zu groß, wird die Bassleistung eingeschränkt. Außerdem bietet ein Lautsprecher in der Nähe eines offenen Bereichs (an dem Ton hinten vom Lautsprecher nur kurz mit Ton vorne vom Lautsprecher konkurriert) den geringsten Bass.
- Wenn ein Lautsprecher nicht im Freien montiert ist, wird die Bassleistung durch ein Bassreflexgehäuse verbessert.
- Orientieren Sie sich an den Thiele-Small-Parametern in den technischen Daten, wenn Sie ein eigenes Gehäuse für die Lautsprecher entwerfen.
- Wählen Sie eine flache Montagefläche, um eine optimale Dichtung zu erzielen.
- Halten Sie die Lautsprecherleitungen von scharfen Gegenständen fern, und verwenden Sie beim Verlegen der Kabel durch Konsolen stets Gummitüllen.
- Wählen Sie Montageorte, die frei von möglichen Hindernissen wie Kraftstoff- und Hydraulikleitungen sowie -kabeln sind.
- Schützen Sie alle Anschlüsse und Verbindungen vor Erdung, und achten Sie darauf, dass sie sich nicht berühren. Andernfalls könnte das Audiosystem dauerhaft beschädigt werden und die Produktgarantie erlöschen.
- Damit es nicht zu Interferenzen mit Magnetkompassen kommt, muss bei der Montage der Lautsprecher der in den

technischen Daten zum Produkt aufgeführte Sicherheitsabstand zum Kompass eingehalten werden.

- Das Audiosystem muss ausgeschaltet sein, bevor Sie Verbindungen mit dem Quellgerät, dem Verstärker oder den Lautsprechern herstellen. Andernfalls könnte es zu dauerhaften Schäden am Audiosystem kommen.

Montieren der Lautsprecher

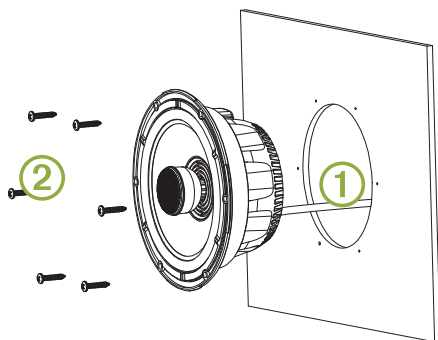
Wählen Sie vor der Montage der Lautsprecher einen Montageort aus, und folgen Sie dazu den oben angegebenen Richtlinien.

Überprüfen Sie vor dem Schneiden der Montagefläche, ob dahinter genug Freiraum für den Lautsprecher vorhanden ist. Informationen zum Freiraum finden Sie in den technischen Daten.

HINWEIS

Tragen Sie kein Schmiermittel auf die Schrauben auf, wenn Sie die Lautsprecher an der Montagefläche befestigen. Schmiermittel können das Gehäuse des Lautsprechers beschädigen.

- 1 Verlegen Sie die Leitungen von der Quelle zum Montageort des Lautsprechers. Dabei muss ausreichend Abstand zu elektronischen Störquellen bestehen.
- 2 Schneiden Sie die Schablone zu, und achten Sie darauf, dass sie an den gewählten Montageort passt.
- 3 Richten Sie die Schablone so aus, dass das FUSION Logo auf der Schablone von vorne lesbar ist.
- 4 Befestigen Sie die Schablone am gewählten Ort.
- 5 Schneiden Sie mit einer Stichsäge die Montagefläche entlang der Innenseite der Schablonenlinie aus.
- 6 Setzen Sie den Lautsprecher in den Ausschnitt ein, um den Sitz zu testen.
- 7 Passen Sie den Durchmesser des Ausschnitts bei Bedarf mit Feile und Sandpapier an.
- 8 Wenn der Lautsprecher ordnungsgemäß im Ausschnitt sitzt, vergewissern Sie sich, dass die Montagelöcher am Lautsprecher auf die Vorbohrungen der Schablone ausgerichtet sind.
- 9 Ist das nicht der Fall, kennzeichnen Sie neue Positionen für die Löcher.
- 10 Bringen Sie mit einem für die Montagefläche und den Schraubentyp geeigneten Bohrer die Löcher an.
- 11 Entfernen Sie die Schablone von der Montagefläche.
- 12 Verbinden Sie die Lautsprecherleitungen ①, und achten Sie dabei auf die korrekte Ausrichtung der Pole (*Lautsprecherverkabelung, Seite 16*).



- 13 Verbinden Sie bei Bedarf die LED-Leitungen (*LED-Verkabelung, Seite 16*).
- 14 Setzen Sie den Lautsprecher in den Ausschnitt ein.
- 15 Sichern Sie den Lautsprecher mit den mitgelieferten Schrauben an der Montagefläche ②.

HINWEIS: Ziehen Sie die Schrauben nicht zu fest an. Dies gilt besonders dann, wenn die Montagefläche nicht flach ist.

- 16 Montieren Sie zunächst die Lautsprecher. Halten Sie das Gitter dann so, dass sich das FUSION Logo unten befindet (6-Uhr-Position).
- 17 Drehen Sie das Gitter ca. 30 Grad gegen den Uhrzeigersinn. Das FUSION Logo ist jetzt an der 5-Uhr-Position.
- 18 Setzen Sie das Gitter auf den Lautsprecher auf, und drehen Sie es im Uhrzeigersinn, um es sicher zu befestigen.

HINWEIS: Anstatt das Gitter bei der Installation zu drehen, können Sie es so ausrichten, dass sich das FUSION Logo an der 6-Uhr-Position befindet. Drücken Sie dann darauf, bis es einrastet.

Lautsprecherverkabelung

Beachten Sie beim Verbinden der Lautsprecher mit dem Radio folgende Hinweise.

- Lautsprecherleitungen sind nicht im Lieferumfang der Lautsprecher enthalten. Verwenden Sie Lautsprecherleitungen mit einer Stärke von 0,82 mm² (AWG 18), um die Lautsprecher mit dem Radio zu verbinden.
- Die Leitungen am Lautsprecher werden mit Kabelschuhen (Steckern) abgeschlossen. Verwenden Sie einen Kabelschuh (Buchse; nicht im Lieferumfang enthalten), um die Lautsprecherleitung mit den Lautsprecherdrähten zu verbinden und so die beste Verbindung zu erhalten.
- Nutzen Sie diese Tabelle, um die Polarität und Kabelschuhgrößen der Leitungen am Lautsprecher zu ermitteln.

Farbe der Lautsprecherleitung	Polarität der Lautsprecherleitung	Kabelschuhgröße
Weiß	Positiv (+)	6,3 mm
Weiß mit einem schwarzen Streifen	Negativ (-)	4,8 mm

LED-Verkabelung

Verbinden der LED-Leitungen

Steuern Sie die Farbe der LEDs, indem Sie die LED-Farbleitungen mit der Masse verbinden. Sie können die Masseleitung mit mehreren LED-Leitungen verdrehen, um die LED-Farbe anzupassen.

HINWEIS: Diese Funktion ist nur bei den Sportmodellen verfügbar.

HINWEIS: Anstatt die LED-Leitungen für eine spezielle Farbe zu verbinden, können Sie eine Fernbedienung installieren, um die LEDs ein- und auszuschalten, die Farbe zu ändern und Beleuchtungseffekte zu schaffen. Weitere Informationen erhalten Sie bei Ihrem FUSION Händler oder unter www.fusionentertainment.com.

Die schwarze Leitung des LED-Kabels hat am Abschluss eine 4-mm-Rundbuchse, und die Farbleitungen haben am Abschluss 4-mm-Rundstecker. Sie können diese mit 4-mm-Rundsteckern an den Leitungen verbinden (nicht im Lieferumfang enthalten) oder die Rundstecker entfernen, um stattdessen die offenen Enden zu verbinden.

- 1 Verbinden Sie eine positive Leitung mit der schwarzen Leitung des LED-Kabels.
- 2 Verbinden Sie entsprechend der bevorzugten LED-Farbe eine Masseleitung mit der Leitung am LED-Kabel.

Farbe der LED	Farbe der LED-Leitung
Rot	Rot
Grün	Grün
Blau	Blau
Gelb	Rot und grün
Magenta	Rot und blau

Farbe der LED	Farbe der LED-Leitung
Zyanblau	Blau und grün
Weiß	Rot, grün und blau

- Verlegen Sie die positive und die negative Leitung, und verbinden Sie sie mit einer Stromquelle (*Verbinden der LED-Leitungen mit der Stromversorgung, Seite 17*).

Verbinden der LED-Leitungen mit der Stromversorgung

HINWEIS: Diese Funktion ist nur bei den Sportmodellen verfügbar.

Sie müssen alle 12-V-Gleichspannungskabel der LEDs mit einer 3-A-Sicherung am Kabelende zur Stromversorgung verbinden. Verbinden Sie die positive Stromleitung (+) über einen Trennschalter oder Unterbrecher mit einer 12-V-Gleichspannungsquelle, um die LEDs ein- und auszuschalten. Sie können denselben Trennschalter oder Unterbrecher verwenden, der die Stromversorgung zum Radio regelt. So lassen sich die LEDs und das Radio gleichzeitig ein- und ausschalten.

Verwenden Sie Leitungen mit einer Stärke von mindestens 0,33 mm² (AWG 22), um die LEDs mit der Batterie zu verbinden.

- Führen Sie die positive Stromleitung (+) und die negative Masseleitung (-) von den LED-Leitungen zur Batterie.
- Verbinden Sie die negative Leitung mit dem Minuspol (-) der Batterie.
- Verbinden Sie die positive Leitung über eine 3-A-Sicherung und einen Trennschalter bzw. Unterbrecher mit dem Pluspol (+).

Lautsprecherinformationen

True-Marine Produkte

True-Marine Produkte werden strengen Umweltprüfungen unter harten marinen Bedingungen unterzogen, um Branchenrichtlinien für Marineprodukte zu übertreffen.

Produkte mit dem True-Marine Qualitätsstempel wurden mit Blick auf eine einfache Bedienung entwickelt und weisen fortschrittliche Marinetchnologien auf, um im Bereich der Schifffahrt optimale Unterhaltung zu bieten. Alle True-Marine Produkte haben eine weltweite, eingeschränkte dreijährige FUSION Garantie.

Registrieren des XS Series

Helfen Sie uns, unseren Service weiter zu verbessern, und füllen Sie die Online-Registrierung noch heute aus.

- Rufen Sie die Website www.fusionentertainment.com auf.
- Bewahren Sie die Originalquittung oder eine Kopie an einem sicheren Ort auf.

Reinigen der Lautsprecher

HINWEIS: Bei ordnungsgemäßer Montage entsprechen diese Lautsprecher der Schutzklasse IP65 und sind unter normalen Bedingungen staubdicht und vor dem Eindringen von Wasser geschützt. Sie widerstehen keinem Hochdruckspritzwasser, wie es beispielsweise beim Reinigen des Schiffs auftreten kann. Seien Sie beim Reinigen des Schiffs mit Spritzwasser vorsichtig. Andernfalls kann es zu Schäden am Produkt und zum Erlöschen der Garantie kommen.

HINWEIS

Verwenden Sie an den Lautsprechern keine scharfen oder lösemittelhaltigen Reinigungsmittel. Die Verwendung derartiger Reinigungsmittel kann zur Beschädigung des Produkts und zum Erlöschen der Garantie führen.

- Entfernen Sie Salzwasser und Salzurückstände am Lautsprecher mit einem Tuch, das mit klarem Wasser befeuchtet wurde.

- Verwenden Sie ein mildes Reinigungsmittel, um starke Salzurückstände oder Flecken zu entfernen.

Fehlerbehebung

Bevor Sie sich mit einem FUSION Händler oder Service-Center in Verbindung setzen, führen Sie die hier beschriebenen einfachen Schritte zur Fehlerbehebung durch, um die Fehlerdiagnose zu erleichtern.

Wenn der FUSION Lautsprecher von Fachpersonal installiert wurde, wenden Sie sich an das entsprechende Installationsunternehmen, damit sich ein Techniker das Problem ansehen und eine mögliche Lösung vorschlagen kann.

Die Lautsprecher geben keinen Ton aus

- Vergewissern Sie sich, dass alle Verbindungen vom Quellgerät und/oder vom Verstärker ordnungsgemäß mit den Lautsprecheranschlüssen verbunden sind.

Das System gibt keine Bässe oder hohen Frequenzen wieder

- Vergewissern Sie sich, dass die Polarität der Leitung zwischen der Quelle und den Lautsprechern richtig ist. Die positiven Leitungen müssen mit dem positiven Anschluss und die negativen Leitungen mit dem negativen Anschluss verbunden sein.
- Vergewissern Sie sich, dass die Lautsprecher sicher an der Montagefläche befestigt sind.

Der Ton ist verzerrt

- Vergewissern Sie sich, dass die Lautstärke der Quelle nicht zu laut für die Lautsprecher ist, und verringern Sie die Lautstärke bei Bedarf.
- Vergewissern Sie sich, dass die Konsolen um den Lautsprecher auf dem Schiff nicht klappern.
- Vergewissern Sie sich, dass das Quellgerät und/oder der Verstärker ordnungsgemäß mit den Lautsprecheranschlüssen verbunden sind.
- Wenn der Lautsprecher mit einem Verstärker verbunden ist, stellen Sie sicher, dass der Eingangspegel des Verstärkers dem Ausgabepegel des Radios entspricht. Weitere Informationen finden Sie im Handbuch des Verstärkers.

Die LEDs gehen nicht an

- Vergewissern Sie sich, dass die Verkabelung überall korrekt und sicher befestigt ist.

Technische Daten

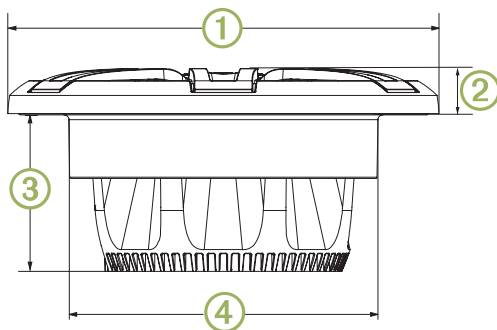
Angabe	4-Zoll-Lautsprecher	6,5-Zoll-Lautsprecher	7,7-Zoll-Lautsprecher
Leistungsspitze (Watt)	120 W	200 W	240 W
Effektive Leistung (Watt)	30 W	50 W	60 W
Wirkungsgrad (1 W/ 1 m)	87 dB	91 dB	92 dB
Frequenzgang	100 Hz bis 18.000 Hz	80 Hz bis 18.000 Hz	70 Hz bis 18.000 Hz
Nominale Impedanz	4 Ohm		
Empfohlene Verstärkerleistung (eff.)	15 bis 80 W pro Kanal	20 bis 150 W pro Kanal	25 bis 200 W pro Kanal
Min. Montagetiefe (Freiraum)	54 mm (2 1/8 Zoll)	67 mm (2 5/8 Zoll)	77 mm (3 Zoll)
Montagedurchmesser (Freiraum)	99 mm (3 7/8 Zoll)	135 mm (5 1/16 Zoll)	162 mm (6 3/8 Zoll)
Empfehlung für das optimale Volumen des Gehäuses*	4 l (0,14 ft ³)	8 l (0,28 ft ³)	10 l (0,28 ft ³)

Angabe	4-Zoll-Lautsprecher	6,5-Zoll-Lautsprecher	7,7-Zoll-Lautsprecher
LED-Farboptionen (nur Lautsprecher des Sportmodells)	Nicht verfügbar	RGB	
LED-Stromversorgung (nur Lautsprecher des Sportmodells)	Nicht verfügbar	10,8 bis 16 V Gleichspannung	
LED-Laststrom bei 14,4 V Gleichspannung (nur Lautsprecher des Sportmodells)	Nicht verfügbar	150 mA	
Betriebstemperaturbereich	0 °C bis 50 °C (32 °F bis 122 °F)		
Lagertemperaturbereich	-20 °C bis 70 °C (-4 °F bis 158 °F)		
Material der Membran/Sicke	Membran: Polypropylen, Sicke: Gummi	Membran: Polypropylen, Sicke: Stoff	
Wasser- und Staubbeständigkeit	IEC 60529, IP65 (staubdicht und Schutz vor dem Eindringen von Wasser)		

* Geschlossenes Gehäuse; vollständig mit absorbierendem Material ausgekleidet.

HINWEIS: Dieser Lautsprecher ist nicht für die Installation in einem Bassreflexgehäuse vorgesehen, wenn er sich im Freien befindet.

Lautsprechergröße



Abmessungen	4-Zoll-Lautsprecher	6,5-Zoll-Lautsprecher	7,7-Zoll-Lautsprecher
①	135 mm (5 5/16 Zoll)	177 mm (6 15/16 Zoll)	196 mm (7 7/8 Zoll)
②	Gitter (klassische Modelle): 17 mm (11/16 Zoll) Gitter (Sportmodelle): 19 mm (3/4 Zoll)	Gitter (klassische Modelle): 17 mm (11/16 Zoll) Gitter (Sportmodelle): 19 mm (3/4 Zoll)	Gitter (klassische Modelle): 20 mm (3/4 Zoll) Gitter (Sportmodelle): 23 mm (7/8 Zoll)
③	51 mm (2 Zoll)	64 mm (2 1/2 Zoll)	74 mm (2 7/8 Zoll)
④	95 mm (3 3/4 Zoll)	130 mm (5 1/8 Zoll)	157 mm (6 3/16 Zoll)

Sicherheitsabstände zum Kompass

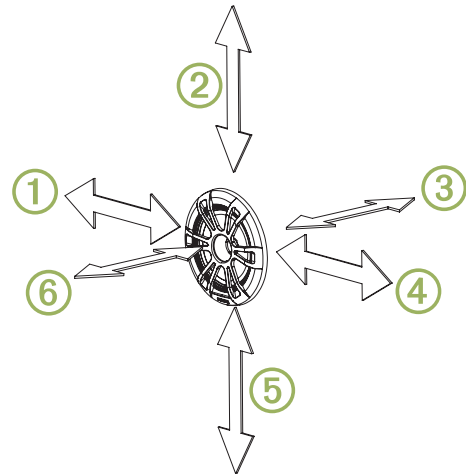
Alle Lautsprecher enthalten Magneten, die zu Störungen von Instrumenten an Bord führen können. Es hängt von der Größe des Magneten im Lautsprecher ab, wie stark die vom Lautsprecher evtl. verursachten Störungen sind.

Störungen können zu Abweichungen und Missweisungen bei den Messwerten empfindlicher Navigationsgeräte wie Magnetkompassen führen. Diese Abweichungen können ungenaue oder versetzte Messwerte hervorrufen, beschädigen die Geräte jedoch nicht. Verringern Sie die Abweichungen, indem Sie den Kompass entsprechend den Anweisungen des Herstellers für die Abweichung anpassen oder den Lautsprecher aus der Nähe von Navigationsgeräten entfernen. Nachdem Sie

eine Störquelle beseitigt haben, müssen Sie den Kompass ggf. neu kalibrieren.

Wenn Sie für die Navigation ausschließlich einen Magnetkompass verwenden, müssen Sie unbedingt darauf achten, einen ausreichenden Abstand zwischen Lautsprecher und Kompass einzuhalten, damit es nicht zu Abweichungen der Messwerte kommt.

Vermeiden Sie Abweichungen der Navigationsgeräte, indem Sie die Lautsprecher so positionieren, dass mindestens der in der folgenden Tabelle aufgeführte Abstand zu Navigationsgeräten eingehalten wird.



Richtung vom Lautsprecher	4-Zoll-Lautsprecher	6,5-Zoll-Lautsprecher	7,7-Zoll-Lautsprecher
①	185 cm (6 Fuß 1 Zoll)	250 cm (8 Fuß 2 Zoll)	275 cm (9 Fuß)
②	185 cm (6 Fuß 1 Zoll)	245 cm (8 Fuß)	275 cm (9 Fuß)
③	255 cm (8 Fuß 5 Zoll)	310 cm (10 Fuß 2 Zoll)	400 cm (33 Fuß 4 Zoll)
④	185 cm (6 Fuß 1 Zoll)	255 cm (8 Fuß 4 Zoll)	275 cm (9 Fuß)
⑤	185 cm (6 Fuß 1 Zoll)	230 cm (7 Fuß 6 Zoll)	275 cm (9 Fuß)
⑥	230 cm (7 Fuß 7 Zoll)	280 cm (9 Fuß 2 Zoll)	385 cm (12 Fuß 7 Zoll)

Thiele-Small-Parameter

Verwenden Sie die Thiele-Small-Parameter, wenn Sie eigene Gehäuse für die Lautsprecher entwerfen.

HINWEIS: Thiele-Small-Parameter können je nach Mustern basierend auf der Umgebung variieren sowie darauf, wie häufig der Lautsprecher verwendet wurde. Diese Werte dienen als Richtlinien, um Sie beim Entwurf des Gehäuses zu unterstützen.

Thiele-Small-Parameter	4-Zoll-Lautsprecher	6,5-Zoll-Lautsprecher	7,7-Zoll-Lautsprecher
Elektrische Güte (Q_{es})	1,80	1,05	0,7
Mechanische Güte (Q_{ms})	4,40	4,80	3,6
Gesamtgüte (Q_{ts})	1,28	0,86	0,59
Resonanzfrequenz (F_s)	128	82	72
Äquivalentvolumen (V_{as})	1,6	7,6	10,4

Instrucciones de instalación de los altavoces de la XS Series

Información importante sobre seguridad

⚠ ADVERTENCIA

El incumplimiento de las advertencias y precauciones que se indican puede derivar en daños personales, en el vehículo o en la embarcación, así como en un rendimiento deficiente del producto.

El dispositivo debe instalarse de acuerdo con estas instrucciones.

Desconecta el suministro de alimentación del vehículo o la embarcación antes de iniciar la instalación del producto.

⚠ ATENCIÓN

La exposición constante a niveles de presión acústica superiores a los 100 dBA puede provocar la pérdida permanente de la audición. Si no puedes escuchar a la gente que te rodea, es probable que el volumen sea demasiado alto. Limita la cantidad de tiempo que escuchas el dispositivo con un volumen elevado. Si notas pitidos en el oído o escuchas las voces apagadas, deja de escuchar el dispositivo y acude a tu médico.

Utiliza siempre gafas de seguridad, un protector de oídos y una máscara antipolvo cuando vayas a realizar orificios, cortes o lijados.

AVISO

Al realizar orificios o cortes, comprueba siempre lo que hay al otro lado de la superficie.

Te recomendamos que la instalación del sistema de audio corra a cargo de un instalador profesional con el fin de garantizar un rendimiento óptimo.

Debes leer todas las instrucciones de instalación antes de proceder. Si tienes dificultades durante la instalación, visita www.fusionentertainment.com para obtener asistencia técnica.

Contenido de la caja

- 2 altavoces
- 12 tornillos de montaje Phillips de acero inoxidable
 - Modelos de 4 in: 3,5 mm x 25,4 mm (calibre 6 de 1 in)
 - Modelos de 6,5 in y 7,7 in: 4,2 mm x 25,4 mm (calibre 8 de 1 in)
- Plantilla de montaje
- Rejillas de altavoz

Herramientas necesarias

- Taladro eléctrico
- Broca (el tamaño varía en función del material de la superficie)
- Destornillador Phillips
- Peladores de cables
- Herramienta de crimpado
- Cinta para aplicaciones eléctricas
- Sierra o cuchillo de uso general aptos para cortar el material de la superficie
- Sellador marino (opcional)

NOTA: para instalaciones hechas a medida, es posible que se necesiten herramientas y materiales adicionales.

Especificaciones de montaje

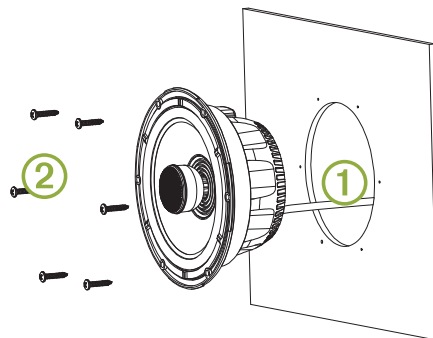
AVISO

Si se monta el altavoz en una zona expuesta a la intemperie o al agua, debe montarse sobre una superficie vertical. Si se monta el altavoz sobre una superficie horizontal hacia arriba, puede acumularse agua en el interior y alrededor del altavoz, lo que provocará daños a lo largo del tiempo.

La elección de la ubicación de montaje correcta es esencial para optimizar el rendimiento de los altavoces. Los altavoces FUSION están diseñados para ofrecer el mejor rendimiento en el mayor número posible de superficies de montaje; no obstante, cuanto mejor planifiques la instalación, mayor será la calidad de sonido de los altavoces.

- Para un rendimiento óptimo, los altavoces se deben instalar en una zona alta de la embarcación. El sonido se transmite en la dirección en la que estén orientados los altavoces, por lo tanto, si los instalas en una ubicación baja, es posible que la calidad del sonido y el volumen no sean los ideales.
- Si vas a instalar los altavoces en el exterior de la embarcación, deberás hacerlo en una ubicación considerablemente superior al nivel del agua, de forma que no queden sumergidos ni resulten dañados por los efectos de muelles, pilotes u otras instalaciones. Cuando están montados correctamente, estos altavoces cuentan con un grado de protección IP65 en la parte frontal del altavoz. En caso de que la parte posterior del altavoz entre en contacto con el agua y resulte dañada, se anulará la garantía. Esto puede ocurrir en el caso de que los altavoces estén instalados en una caja sellada, en particular si están expuestos a la erosión del agua. El uso de una caja con puerto o ventilación, expuesta a elementos externos, puede provocar que se acumule agua y que se dañe el altavoz.
- Debes elegir una ubicación de montaje que te permita escuchar el sonido procedente de ambos altavoces al mismo tiempo, a fin de obtener la máxima definición. Para conseguirlo, los altavoces no deben instalarse uno junto al otro.
- Si es posible, se debe elegir una ubicación de montaje en la que el espacio detrás de cada altavoz esté cerrado.
- Los altavoces deben instalarse en una ubicación con suficiente espacio, en función de la profundidad de montaje de los altavoces que se indica en las especificaciones del producto.
- Para un mejor rendimiento de los graves, debes elegir una ubicación de montaje que proporcione el espacio adecuado tras el altavoz en función de los requisitos de diseño de caja óptimo incluidos en la sección de especificaciones. Si el espacio es demasiado reducido, la calidad de los graves se verá limitada, y si es demasiado amplio, también afectará al rendimiento. Además, si se instala el altavoz cerca de una zona abierta (en la que el sonido procedente de la parte posterior del altavoz cuente con una trayectoria muy pequeña para competir con el sonido de la parte frontal del altavoz), se generarán menos graves.
- Si el altavoz no está expuesto a elementos externos, se puede obtener un mejor rendimiento de los graves utilizando una caja reflectora de graves con puerto.
- Consulta los parámetros Thiele/Small (T/S) en la sección de especificaciones para diseñar una caja personalizada para los altavoces.
- Debes elegir una superficie de montaje plana para que el espacio sea lo más hermético posible.
- Debes mantener los cables de los altavoces lejos de objetos afilados y utilizar siempre arandelas de goma al pasar los cables a través de los paneles.

- Se debe elegir una ubicación de montaje que no esté expuesta a posibles obstáculos, como pueden ser conductos hidráulicos o de combustible, o cables.
- Debes proteger todos los terminales y conexiones frente a cortocircuitos y evitar que entren en contacto entre ellos. De lo contrario, el sistema de audio podría dañarse de forma permanente y la garantía del producto se anularía.
- Para evitar interferencias con un compás magnético, los altavoces no deben instalarse a una distancia menor del compás que la distancia de seguridad mínima indicada en las especificaciones del producto.
- El sistema de audio debe apagarse antes de realizar cualquier conexión con la unidad de origen, el amplificador o los altavoces. De lo contrario, el sistema de audio podría dañarse de forma permanente.



Instalar los altavoces

Antes de montar los altavoces, debes elegir una ubicación que cumpla las directrices anteriores.

Debes comprobar que hay espacio suficiente para el altavoz detrás de la superficie antes de cortar la superficie de montaje. Consulta las especificaciones para obtener información sobre el espacio libre.

AVISO

No apliques grasa ni lubricante a los tornillos al fijar los altavoces a la superficie de instalación. La grasa u otros lubricantes pueden provocar daños en la carcasa de los altavoces.

- 1 Lleva los cables desde la ubicación de origen hasta los altavoces, lejos de fuentes de interferencias eléctricas.
- 2 Recorta la plantilla y asegúrate de que encaja en la ubicación en la que deseas montar el sistema.
- 3 Orienta la plantilla de manera que el logotipo de FUSION quede hacia fuera.
- 4 Fija la plantilla en la ubicación seleccionada.
- 5 Con una herramienta giratoria o una sierra de calar, corta la superficie de montaje a lo largo de la parte interior de la línea indicada en la plantilla.
- 6 Coloca el altavoz en la sección recortada para comprobar si cabe.
- 7 Si es necesario, pule el tamaño de la sección recortada con una lima y papel de lija.
- 8 Tras comprobar que el altavoz encaja en la sección recortada, asegúrate de que los orificios de montaje de este quedan alineados con los orificios guía de la plantilla.
- 9 Si no quedan alineados, marca nuevas ubicaciones para los orificios.
- 10 Perfora los orificios utilizando un tamaño de broca adecuado para la superficie de montaje y el tipo de tornillo.
- 11 Retira la plantilla de la superficie de montaje.
- 12 Conecta los cables del altavoz ① teniendo en cuenta la polaridad (*Cables de los altavoces*, página 20).

13 Si es necesario, conecta los cables de las luces LED (*Cables de LED*, página 20).

14 Coloca el altavoz en la sección recortada.

15 Fija el altavoz en la superficie de montaje con los tornillos suministrados ②.

NOTA: no aprietes los tornillos en exceso, especialmente si la superficie de montaje no es plana.

16 Una vez instalados los altavoces, sostén la rejilla de forma que el logotipo de FUSION quede en la parte inferior o en la posición de las 6 en punto.

17 Gira la rejilla en sentido contrario a las agujas del reloj unos 30 grados, de forma que el logotipo de FUSION quede en la posición de las 5 en punto.

18 Coloca la rejilla en el altavoz y gírala en el sentido de las agujas del reloj para fijarla.

NOTA: en lugar de girar para instalar la rejilla, puedes alinearla de manera que el logotipo de FUSION quede en la posición de las 6 en punto y, a continuación, presionar para que encaje en su sitio.

Cables de los altavoces

Al conectar los altavoces al sistema estéreo, ten en cuenta las siguientes consideraciones.

- Los cables de los altavoces no vienen incluidos con estos. Es recomendable utilizar cables de altavoces 18 AWG (0,82 mm²) o de grosor superior para conectar los altavoces al sistema estéreo.
- Los cables de los altavoces incorporan conectores de pala macho. Utiliza conectores de pala hembra (no incluidos) para conectarlos con el cable principal y obtener una conexión óptima.
- Esta tabla permite identificar la polaridad y los tamaños de conector de los cables de los altavoces.

Color del cable del altavoz	Polaridad del cable del altavoz	Tamaño del conector de pala
Blanco	Positivo (+)	6,3 mm
Blanco con una raya negra	Negativo (-)	4,8 mm

Cables de LED

Conectar los cables de LED

Puedes controlar el color de los LED conectando a tierra los cables de color de los LED. Puedes empalmar el cable de conexión a tierra a varios cables de LED para personalizar el color de los LED.

NOTA: esta función solamente está disponible en el modelo deportivo.

NOTA: en lugar de conectar los cables de LED de cada color, puedes instalar un mando a distancia para encender y apagar los LED, cambiarlos de color y crear efectos de iluminación. Consulta a tu distribuidor de FUSION o visita www.fusionentertainment.com para obtener más información.

El hilo negro del cable de LED incorpora un conector hembra de tipo bala de 4 mm y los hilos de color incorporan conectores macho de tipo bala de 4 mm. Puedes conectarlos a conectores tipo bala de 4 mm de los hilos (no incluidos) o, si lo prefieres, quitar los conectores tipo bala para una conexión con cables pelados.

- 1 Conecta un cable positivo al hilo negro del cable de LED.
- 2 Conecta un cable de conexión a tierra al hilo del cable de LED en función del color de LED que prefieras.

Color del LED	Color del cable del LED
Rojo	Rojo
Verde	Verde
Azul	Azul
Amarillo	Rojo y verde
Magenta	Rojo y azul
Cian	Azul y verde
Blanco	Rojo, verde y azul

- 3 Dirige los cables positivo y negativo, y conéctalos a una fuente de alimentación (*Conectar los cables de LED a la alimentación, página 21*).

Conectar los cables de LED a la alimentación

NOTA: esta función solo está disponible en el modelo deportivo.

Debes conectar todos los cables de 12 V de CC de los LED mediante un fusible de 3 A en el extremo de la fuente de alimentación del cable. Debes conectar el cable de alimentación positivo (+) a una fuente de alimentación de 12 V de CC mediante un interruptor de aislamiento o un disyuntor para que los LED se enciendan y se apaguen. Puedes utilizar el mismo interruptor de aislamiento o disyuntor para controlar el suministro de alimentación al sistema estéreo, lo que permitirá que los LED y el sistema estéreo se enciendan y apaguen a la vez.

Es recomendable utilizar un cable 22 AWG (0,33 mm²) o de grosor superior para conectar los LED a la batería.

- 1 Dirige el cable de alimentación positivo (+) y cable de tierra negativo (-) de las conexiones de cables de LED a la batería.
- 2 Conecta el cable negro al terminal negativo (-) de la batería.
- 3 Conecta el cable positivo al terminal positivo (+) mediante un fusible de 3 A y un interruptor de aislamiento o disyuntor.

Información sobre los altavoces

True-MarineProductos

Los productos True-Marine se someten a rigurosas pruebas medioambientales bajo duras condiciones marinas con el fin de cumplir con la normativa del sector para productos náuticos.

Los productos que cuentan con el sello de garantía True-Marine se han diseñado para proporcionar facilidad de uso y combinan tecnologías náuticas avanzadas con el objetivo de ofrecer una experiencia de entretenimiento líder en el sector. Todos los productos True-Marine cuentan con la garantía limitada de 3 años de FUSION para usuarios en cualquier parte del mundo.

Registro de la unidad XS Series

Completa hoy mismo el registro en línea y ayúdanos a ofrecerte un mejor servicio.

- Visita www.fusionentertainment.com.
- Guarda la factura original o una fotocopia en un lugar seguro.

Limpiar los altavoces

NOTA: cuando están montados correctamente, estos altavoces cuentan con un grado de protección IP65 frente a la entrada de agua y polvo en condiciones normales. No están diseñados para soportar pulverizaciones de agua a altas presiones, que pueden tener lugar durante la limpieza de la embarcación. En caso de que la embarcación no se limpie correctamente

mediante pulverización, se podría dañar el producto, con lo que la garantía quedaría anulada.

AVISO

No utilices productos de limpieza agresivos o a base de disolventes en los altavoces. El uso de estos productos podría dañar el producto y anular la garantía.

- 1 Elimina el agua salada y cualquier resto de sal de los altavoces con un paño humedecido en agua dulce.
- 2 Utiliza un detergente suave para eliminar grandes acumulaciones de sal o manchas.

Solución de problemas

Antes de ponerte en contacto con tu distribuidor o centro de servicio de FUSION, te recomendamos que sigas estos sencillos pasos, que pueden ayudarte a identificar y solucionar el problema.

Si la instalación del altavoz FUSION se ha llevado a cabo por parte de una empresa de instalación profesional, debes ponerte en contacto con ella para que los técnicos puedan evaluar el problema y aconsejarte sobre las posibles soluciones.

Los altavoces no emiten ningún sonido

- Comprueba que todas las conexiones del dispositivo de origen o el amplificador a los terminales del altavoz se han realizado correctamente.

El sistema no reproduce los graves o los agudos

- Comprueba que se ha tenido en cuenta la polaridad de los cables al realizar la conexión entre el dispositivo de origen y los altavoces.

El cable positivo debe conectarse al terminal positivo y el cable negativo al terminal negativo.

- Asegúrate de que los altavoces están fijados con firmeza a la superficie de montaje.

El audio se distorsiona

- Comprueba que el volumen de origen no es demasiado alto para el altavoz y redúcelo si es necesario.
- Comprueba que los paneles que rodean al altavoz en la embarcación no vibran.
- Comprueba que el dispositivo de origen o el amplificador están conectados correctamente a los terminales del altavoz.
- Si el altavoz está conectado a un amplificador, comprueba que el nivel de entrada del amplificador se corresponde con el nivel de salida del sistema estéreo. Para obtener más información, consulta el manual del amplificador.

Las luces LED no se encienden

- Comprueba que las conexiones de todos los cables se han realizado correctamente y no están sueltas.

Especificaciones

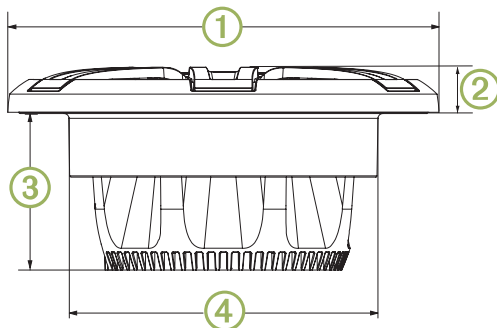
Especificación	Altavoces de 4"	Altavoces de 6,5"	Altavoces de 7,7"
Potencia pico (vatios)	120 W	200 W	240 W
Potencia RMS (vatios)	30 W	50 W	60 W
Eficiencia (1 W/1 m)	87 dB	91 dB	92 dB
Respuesta de frecuencia	De 100 Hz a 18.000 Hz	De 80 Hz a 18.000 Hz	De 70 Hz a 18.000 Hz
Impedancia nominal	4 ohmios		
Potencia de amplificador recomendada (RMS)	De 15 a 80 W por canal	De 20 a 150 W por canal	De 25 a 200 W por canal

Especificación	Altavoces de 4"	Altavoces de 6,5"	Altavoces de 7,7"
Mínima profundidad de montaje (espacio libre)	54 mm (2 1/8 in)	67 mm (2 5/8 in)	77 mm (3 in)
Diámetro de montaje (espacio libre)	99 mm (3 7/8 in)	135 mm (5 5/16 in)	162 mm (6 3/8 in)
Recomendación de volumen óptimo de la caja*	4 L (0,14 ft³)	8 L (0,28 ft³)	10 L (0,28 ft³)
Opciones de color de las luces LED (solo altavoces del modelo deportivo)	N/D	RGB	
Voltaje de alimentación de las luces LED (solo en altavoces del modelo Deportivo)	N/D	De 10,8 a 16 V de CC	
Corriente de carga de las luces LED a 14,4 V de CC (solo en altavoces del modelo Deportivo)	N/D	150 mA	
Rango de temperatura de funcionamiento	De 0 °C a 50 °C (de 32 °F a 122 °F)		
Rango de temperatura de almacenamiento	De -20 °C a 70 °C (de -4 °F a 158 °F)		
Material del cono/marco	Cono de polipropileno, marco de goma	Cono de polipropileno, marco de tela	
Clasificación de resistencia al agua y al polvo	IEC 60529 IP65 (protección frente a la entrada de agua y polvo)		

*Caja sellada, completamente rellena de material absorbente.

NOTA: este altavoz no se ha diseñado para instalarse en una caja con puerto o ventana expuesto a elementos externos.

Dimensiones del altavoz



Dimensión	Altavoces de 4"	Altavoces de 6,5"	Altavoces de 7,7"
①	135 mm (5 5/16 in)	177 mm (6 15/16 in)	196 mm (7 11/16 in)
②	Rejilla clásica: 17 mm (11/16 in)	Rejilla clásica: 17 mm (11/16 in) Rejilla deportiva: 19 mm (3/4 in)	Rejilla clásica: 20 mm (3/4 in) Rejilla deportiva: 23 mm (7/8 in)
③	51 mm (2 in)	64 mm (2 1/2 in)	74 mm (2 7/8 in)
④	95 mm (3 3/4 in)	130 mm (5 1/8 in)	157 mm (6 3/16 in)

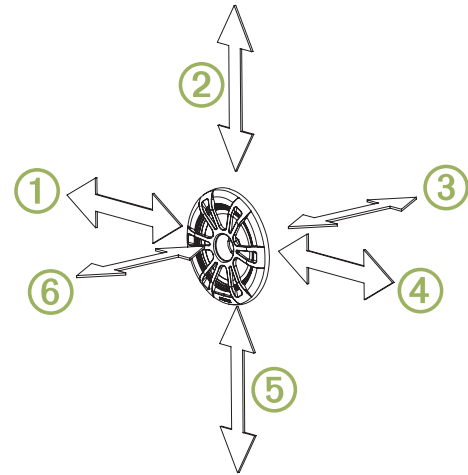
Distancias de seguridad del compás

Todos los altavoces contienen imanes que pueden provocar interferencias con los instrumentos de la embarcación. El nivel de interferencia que el altavoz pueda generar depende del tamaño del imán.

Las interferencias pueden provocar desviaciones y variaciones en la lectura de datos en equipos de navegación sensibles, como compases magnéticos. Si bien estas desviaciones pueden derivar en interpretaciones inexactas o variaciones en la lectura de datos, el equipo no resultará dañado. Para reducirlas, ajusta el compás en función de la desviación siguiendo las instrucciones del fabricante o bien aleja el altavoz del equipo de navegación. Tras mover una fuente de interferencias, es posible que tengas que volver a calibrar el compás.

Si navegas únicamente con la ayuda de un compás magnético, presta especial atención en situar el altavoz lo suficientemente lejos del compás para evitar que se generen desviaciones en las lecturas de datos.

Para evitar desviaciones en el equipo de navegación, coloca los altavoces como mínimo a la distancia que se indica en la siguiente tabla respecto al equipo de navegación.



Dirección respecto al altavoz	Altavoces de 4"	Altavoces de 6,5"	Altavoces de 7,7"
①	185 cm (6 ft 1 in)	250 cm (8 ft 2 in)	275 cm (9 ft)
②	185 cm (6 ft 1 in)	245 cm (8 ft)	275 cm (9 ft)
③	255 cm (8 ft 5 in)	310 cm (10 ft 2 in)	400 cm (33 ft 4 in)
④	185 cm (6 ft 1 in)	255 cm (8 ft 4 in)	275 cm (9 ft)
⑤	185 cm (6 ft 1 in)	230 cm (7 ft 6 in)	275 cm (9 ft)
⑥	230 cm (7 ft 7 in)	280 cm (9 ft 2 in)	385 cm (12 ft 7 in)

Parámetros Thiele/Small

Puedes utilizar los parámetros Thiele/Small (T/S) para diseñar cajas personalizadas para tus altavoces.

NOTA: los parámetros Thiele/Small pueden variar entre muestras en función del entorno y del uso que se le haya dado al altavoz. El objetivo de estos valores es servir de guía para ayudar con el diseño de la caja.

Parámetro T/S	Altavoces de 4 in	Altavoces de 6,5 in	Altavoces de 7,7 in
Factor Q eléctrico (Q _{es})	1,80	1,05	0,7
Factor Q mecánico (Q _{ms})	4,40	4,80	3,6
Factor Q total (Q _{ts})	1,28	0,86	0,59
Frecuencia de resonancia (F _s)	128	82	72
Carga equivalente de aire (V _{as})	1,6	7,6	10,4

Instruções de instalação dos alto-falantes XS Series

Informações importantes sobre segurança

⚠️ ATENÇÃO

Caso os avisos e precauções não sejam seguidos, poderão ocorrer lesões corporais, danos ao veículo ou à embarcação ou desempenho inadequado do produto.

Este dispositivo deve ser instalado de acordo com estas instruções.

Antes de instalar o produto, desconecte a fonte de alimentação do veículo ou da embarcação.

⚠️ CUIDADO

A exposição contínua a níveis de pressão sonora superior a 100 dBA pode causar perda permanente da audição. Não ouvir às pessoas falando ao seu redor significa que o volume está muito alto. Limite o tempo de exposição caso deseje ouvir algo com um volume mais alto. Caso escute um zumbido ou som abafado, interrompa o uso e procure um especialista.

Sempre use óculos de segurança, protetores auriculares e uma máscara contra pó ao perfurar, cortar ou lixar.

AVISO

Ao fazer perfurações ou cortes, sempre verifique o que está no lado oposto da superfície.

É altamente recomendável que você tenha o seu sistema de áudio instalado por um profissional para garantir um melhor desempenho.

Leia todas as instruções antes de iniciar a instalação. Se tiver dificuldades durante a instalação, acesse www.fusionentertainment.com para obter suporte do produto.

Conteúdo da caixa

- 2 alto-falantes
- 12 parafusos de montagem de aço inoxidável Phillips
 - Modelos de 4 pol.: 3,5 mm × 25,4 mm (6 × 1 pol.)
 - Modelos de 6,5 pol. e 7,7 pol.: 4,2 mm × 25,4 mm (8 × 1 pol.)
- Modelo de montagem
- Grades do alto-falante

Ferramentas necessárias

- Furadeira elétrica
- Broca (o tamanho varia de acordo com o material da superfície)
- Chave Phillips
- Alicates para desencapar fios
- Ferramenta de corte
- Fita isolante
- Serra adequada ou estilete utilitário para cortar o material da superfície
- Selante marítimo (opcional)

OBSERVAÇÃO: para instalações personalizadas, podem ser necessárias ferramentas e materiais adicionais.

Considerações sobre montagem

AVISO

Ao montar o alto-falante em uma área exposta às intempéries ou água, você deve instalá-lo em uma superfície vertical. Se você instalar o alto-falante em uma superfície horizontal voltado para cima, pode ocorrer acúmulo de água dentro e ao redor do alto-falante, causando danos ao longo do tempo.

Selecionar o local correto de montagem é fundamental para melhorar o desempenho de cada alto-falante. Os alto-falantes FUSION são projetados para serem executados em um maior número possível de locais de montagem, mas quanto mais planejar a instalação, melhor o som dos alto-falantes será.

- Para o melhor desempenho, os alto-falantes devem ser montados na parte superior do barco. O som viaja na direção em que os alto-falantes estão voltados; assim, se você montar em um local baixo, a qualidade do som e o volume poderão não ser os ideais.
- Caso deseje montar os alto-falantes na parte externa do barco, eles deverão ser montados em um local acima do nível da água, onde não fiquem submersos nem sejam danificados por docas, estacas ou outras peças de equipamento. Quando montados corretamente, esses alto-falantes receberão a classificação IP65 em relação à proteção na parte dianteira do alto-falante. Exposição à água e danos na parte traseira do alto-falante anularão a garantia. Isso inclui situações nas quais os alto-falantes são montados em um compartimento vedado, especialmente se estiverem expostos à água. O uso de um compartimento com porta ou ventilação exposta ao ambiente externo poderá resultar no acúmulo de água e em danos no alto-falante.
- Para conseguir um efeito sonoro de palco, selecione locais de montagem que permitam ouvir o som de ambos os alto-falantes ao mesmo tempo. Para atingir esse efeito, não instale os alto-falantes um do lado do outro.
- Quando possível, selecione locais de montagem nos quais a área atrás de cada alto-falante esteja fechada.
- Os locais de montagem devem fornecer espaço suficiente para a profundidade da montagem dos alto-falantes, como descrito nas especificações do produto.
- Para um melhor desempenho dos graves, selecione um local de montagem com espaço adequado atrás do alto-falante, de acordo com os requisitos ideais de design de compartimento na seção de especificações. Uma área muito pequena restringe os graves, e uma área muito grande compromete o desempenho dos graves. Além disso, a montagem de um alto-falante perto de uma área aberta (em que o som da parte posterior do alto-falante tem um caminho muito curto para competir com o som da parte dianteira) produz o menor nível de grave.
- Quando um alto-falante não estiver exposto ao ambiente externo, você poderá ter um melhor desempenho dos graves se usar um compartimento com portas no design.
- Use os parâmetros Thiele/Small (T/S) na seção de especificações ao projetar um compartimento personalizado para os alto-falantes.
- Selecione uma superfície de montagem plana para uma melhor vedação.
- Proteja os fios dos alto-falantes contra objetos pontiagudos e sempre utilize ilhós de borracha ao passar a fiação através dos painéis.
- Escolha locais de montagem que não apresentem possíveis obstáculos, como linhas e fiações hidráulicas e de combustível.
- Proteja todos os terminais e conexões contra o aterramento e contra um do outro. Caso contrário, pode resultar em danos permanentes ao sistema de áudio e anular a garantia do produto.
- Para evitar interferência com uma bússola magnética, monte os alto-falantes de acordo com a distância de segurança da bússola, listada nas especificações do produto.
- O sistema de áudio deve ser desligado antes de qualquer conexão à unidade de origem, ao amplificador ou aos alto-falantes. Caso contrário, pode resultar em danos permanentes ao sistema de áudio.

Montagem dos alto-falantes

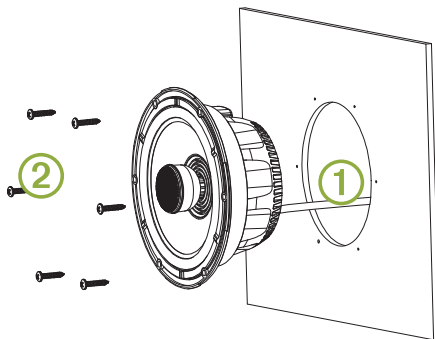
Antes de instalar os alto-falantes, escolha o local conforme as diretrizes acima.

Antes de cortar a superfície de montagem, verifique se há espaço suficiente para o alto-falante atrás da superfície. Consulte as especificações para obter mais informações sobre as folgas.

AVISO

Não aplique graxa ou lubrificante nos parafusos ao ajustar os alto-falantes na superfície de montagem. Graxa ou outros lubrificantes podem causar danos ao alto-falante.

- 1 Passe os fios da fonte para alto-falante, longe de fontes de interferência elétrica.
- 2 Ajuste o modelo e certifique-se de estar de acordo com o local selecionado.
- 3 Direcione o modelo de modo que o logotipo FUSION fique virado para cima no modelo.
- 4 Prenda o modelo ao local selecionado.
- 5 Com uma ferramenta giratória ou serra, corte a superfície de montagem ao longo da parte interna da linha indicada no modelo.
- 6 Coloque o alto-falante no corte para testar o ajuste.
- 7 Se necessário, use uma lixa para refinar o tamanho do corte.
- 8 Quando o alto-falante couber corretamente na abertura, certifique-se de que os orifícios de montagem do alto-falante estejam alinhados com os orifícios do piloto no modelo.
- 9 Se os furos de montagem do alto-falante não se alinharem, marque os locais dos novos furos.
- 10 Com uma broca de tamanho apropriado para a superfície de montagem e tipo de parafuso, faça os furos.
- 11 Remova o modelo da superfície de montagem.
- 12 Conecte os fios do alto-falante ① observando a polaridade (*Fiação do alto-falante*, página 24).



- 13 Se necessário, conecte os fios de LED (*Fiação de LED*, página 24).
- 14 Coloque o alto-falante no corte.
- 15 Fixe o alto-falante na superfície de montagem usando os parafusos incluídos ②.
OBSERVAÇÃO: não aperte os parafusos, especialmente se a superfície de montagem não for plana.
- 16 Com os alto-falantes montados, segure a grade com o logotipo FUSION na parte inferior, ou na posição de 6 horas.
- 17 Gire a grade cerca de 30 graus no sentido anti-horário, de modo que o logotipo FUSION fique na posição de 5 horas.
- 18 Coloque a grade do alto-falante e gire-a no sentido horário para fixá-la.
OBSERVAÇÃO: em vez de girar para instalar a grade, alinhe para que o logotipo FUSION fique na posição de 6 horas e pressione para encaixar no lugar.

Fiação do alto-falante

Ao conectar os alto-falantes ao seu aparelho de som, observe estas considerações.

- O fio do alto-falante não está incluído com os alto-falantes. Você deve usar um fio de alto-falante 18 AWG (0,82 mm²) para conectar os alto-falantes ao aparelho de som.
- Os conectores dos alto-falantes têm terminações com conectores espada macho. Você deve usar conectores espada fêmea (não incluídos) para conectar o fio do alto-falante aos conectores do alto-falante, para ter a melhor conexão.
- Use esta tabela para identificar a polaridade e os tamanhos dos conectores espada nos conectores do alto-falante.

Cor do fio do alto-falante	Polaridade do fio do alto-falante	Tamanho do conector espada
Branco	Positivo (+)	6,3 mm
Branco com uma faixa preta	Negativo (-)	4,8 mm

Fiação de LED

Conectando os fios de LED

Você pode controlar a cor dos LEDs, conectando os fios coloridos do LED ao aterramento. Junte o fio de aterramento a vários fios do LED para personalizar a cor do LED.

OBSERVAÇÃO: esse recurso está disponível apenas para o modelo esportivo.

OBSERVAÇÃO: em vez de conectar os fios de LED para uma cor dedicada, você pode instalar um controle remoto para ativar e desativar os LEDs, mudar a cor e criar efeitos de iluminação. Consulte seu revendedor FUSION ou acesse www.fusionentertainment.com para obter mais informações.

O fio preto no cabo de LED é terminado com um conector do mancal fêmea de 4 mm, e os fios coloridos são terminados com conectores do mancal macho de 4 mm. Você pode conectá-los a conectores do mancal de 4 mm em seus fios (não incluídos), ou remover os conectores do mancal para conectar os fios desencapados em vez disso.

- 1 Conecte um fio positivo ao fio preto no cabo de LED.
- 2 Conecte um fio terra ao fio do cabo de LED de acordo com a cor preferida do LED.

Cor do LED	Cor do fio do LED
Vermelho	Vermelho
Verde	Verde
Azul	Azul
Amarelo	Vermelho e verde
Magenta	Vermelho e azul
Ciano	Azul e verde
Branco	Vermelho, verde e azul

- 3 Direcione os fios positivo e negativo e conecte-os a uma fonte de alimentação (*Conectar os fios de LED à energia*, página 24).

Conectar os fios de LED à energia

OBSERVAÇÃO: esse recurso está disponível apenas no modelo esportivo.

Conecte toda a fiação de 12 VCC dos LEDs a um fusível de 3 A na extremidade do cabo da fonte de energia. Conecte o fio de alimentação positivo (+) a uma fonte de energia de 12 VCC por meio de um interruptor isolador ou um disjuntor para ligar e desligar os LEDs. Você pode usar o mesmo isolador ou disjuntor que controla o fornecimento de energia do seu aparelho de som, o que lhe permite ligar e desligar os LEDs e o aparelho de som ao mesmo tempo.

Use um fio de 22 AWG (0,33 mm²) ou mais espesso para conectar os LEDs à bateria.

- 1 Direcione os fios de energia positiva (+) e os fios terra negativos (-) das conexões do LED à bateria.
- 2 Conecte o fio negativo ao terminal negativo (-) da bateria.
- 3 Conecte o fio positivo ao terminal positivo (+) através de um fusível de 3 A e um interruptor isolador ou disjuntor.

Informações sobre o alto-falante

True-MarineProdutos

Os produtos True-Marine são submetidos a testes ambientais rigorosos em condições marítimas adversas para superar as diretrizes do setor de produtos marinhos.

Qualquer produto que contém o selo de garantia True-Marine foi projetado para uma utilização simplificada e combina tecnologias marinhas avançadas para proporcionar uma experiência de entretenimento líder no setor. Todos os produtos True-Marine são suportados pela garantia limitada de 3 anos da FUSION para clientes do mundo inteiro.

Registro de seu XS Series

Ajude-nos a atendê-lo melhor completando ainda hoje nosso registro online.

- Acesse www.fusionentertainment.com.
- Mantenha o recibo de venda original ou uma cópia em um local seguro.

Limpeza dos alto-falantes

OBSERVAÇÃO: quando montados corretamente, esses alto-falantes são classificados como IP65 para proteção contra entrada de poeira e água em condições normais. Os alto-falantes não são projetados para suportar jatos de água de alta pressão, o que pode ocorrer ao lavar a sua embarcação. A falta de cuidado ao lavar a embarcação com jato de água pode danificar o produto e anular a garantia.

AVISO

Não use produtos de limpeza abrasivos ou à base de solventes nos alto-falantes. A utilização desses produtos podem danificar o produto e anular a garantia.

- 1 Limpe toda a água salgada e os resíduos de sal do alto-falante com um pano úmido.
- 2 Utilize um detergente suave para remover um acúmulo pesado de sal ou manchas.

Solução de problemas

Antes de entrar em contato com o seu revendedor ou centro de serviços da FUSION, execute alguns passos de solução de problemas simples para ajudar a diagnosticar o problema.

Se o alto-falante FUSION foi instalado por uma empresa de instalação profissional, entre em contato com a empresa para que os técnicos possam avaliar o problema e aconselhá-lo sobre as possíveis soluções.

Não há nenhum som saindo dos alto-falantes

- Verifique se todas as conexões do dispositivo de origem e/ou o amplificador estão conectados corretamente aos terminais do alto-falante.

O sistema não tem as frequências graves ou altas

- Verifique se a polaridade dos cabos está correta entre a fonte e os alto-falantes.

Os fios devem estar conectados como positivo com positivo e negativo com negativo.

- Verifique se os alto-falantes estão presos firmemente à superfície de montagem.

O áudio está distorcido

- Verifique se o volume de origem não é demasiadamente alto para o alto-falante e reduza-o se necessário.

- Verifique se os painéis ao redor do alto-falante da embarcação não estão chacoalhando.
- Verifique se o dispositivo de origem e/ou o amplificador estão conectados corretamente aos terminais do alto-falante.
- Se o alto-falante estiver conectado a um amplificador, verifique se o nível de entrada do amplificador corresponde ao nível de saída do som. Para obter mais informações, consulte o manual do amplificador.

As luzes do LED não ascendem

- Verifique se todas as fiações estão corretas e presas.

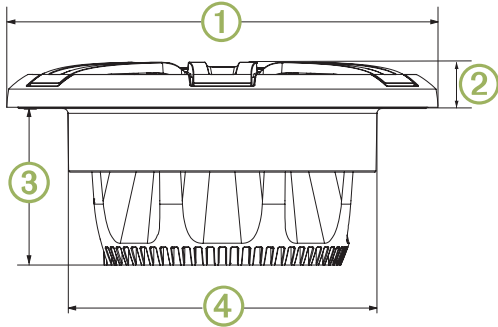
Especificações

Especificação	Alto-falantes de 4"	Alto-falantes de 6,5"	Alto-falantes de 7,7"
Potência de pico (Watts)	120 W	200 W	240 W
RMS (Watts) de potência	30 W	50 W	60 W
Eficiência (1 W/1 m)	87 dB	91 dB	92 dB
Resposta de frequência	100 Hz a 18.000 Hz	80 Hz a 18.000 Hz	70 Hz a 18.000 Hz
Impedância nominal	4 Ohms		
Tensão recomendada do amplificador (RMS)	15 a 80 W por canal	20 a 150 W por canal	25 a 200 W por canal
Profundidade mínima para montagem (folga)	54 mm (2 1/8 pol.)	67 mm (2 5/8 pol.)	77 mm (3 pol.)
Diâmetro para montagem (folga)	99 mm (3 7/8 pol.)	135 mm (5 5/16 pol.)	162 mm (6 3/8 pol.)
Recomendação de volume do compartimento ideal*	4 l (0,14 pés ³)	8 l (0,28 pés ³)	10 l (0,28 pés ³)
Opções de cor do LED (somente alto-falantes do modelo esportivo)	N/D	RGB	
Tensão de alimentação do LED (apenas para os alto-falantes do modelo esportivo)	N/D	De 10,8 a 16 VCC	
Carga do LED atualmente em 14,4 VCC (apenas para os alto-falantes do modelo esportivo)	N/D	150 mA	
Intervalo de temperatura de funcionamento	De 0 a 50 °C (de 32 a 122 °F)		
Intervalo de temperatura de armazenamento	De -20 a 70 °C (de -4 a 158 °F)		
Material do cone/surround	Cone de poli-propileno, surround de borracha	Cone de polipropileno, surround de tecido	
Classificação de água e poeira	IEC 60529 IP65 (Protegido contra a entrada de poeira e água)		

*Compartimento vedado, totalmente preenchido com material de absorção.

OBSERVAÇÃO: esse alto-falante não deve ser instalado em um compartimento ventilado ou com porta quando for exposto ao ambiente externo.

Dimensões do alto-falante



Dimensão	Alto-falantes de 4"	Alto-falantes de 6,5"	Alto-falantes de 7,7"
①	135 mm (5 5/16 pol.)	177 mm (6 15/16 pol.)	196 mm (7 11/16 pol.)
②	Grade clássica: 17 mm (1 1/16 pol.)	Grade clássica: 17 mm (1 1/16 pol.) Grade esportiva: 19 mm (3/4 pol.)	Grade clássica: 20 mm (3/4 pol.) Grade esportiva: 23 mm (7/8 pol.)
③	51 mm (2 pol.)	64 mm (2 1/2 pol.)	74 mm (2 7/8 pol.)
④	95 mm (3 3/4 pol.)	130 mm (5 1/8 pol.)	157 mm (6 3/16 pol.)

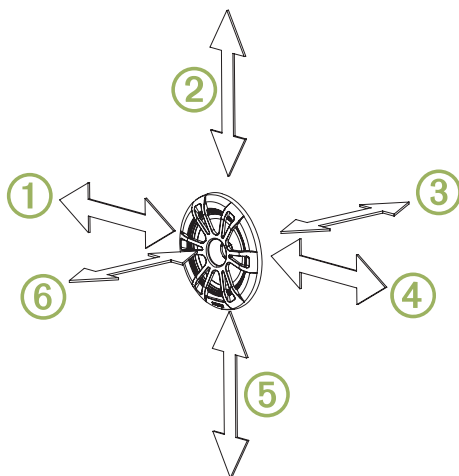
Distâncias seguras da bússola

Todos os alto-falantes contêm ímãs que podem causar interferências com os instrumentos na sua embarcação. O tamanho do ímã usado no alto-falante afeta o nível de interferência que o alto-falante pode causar.

A interferência pode causar desvios e variações em relação à leitura de equipamento de navegação sensível, tal como bússolas magnéticas. Os desvios podem causar imprecisões ou deslocamento nas leituras, sem causar danos ao equipamento. Para diminuir os desvios, ajuste a bússola seguindo as instruções do fabricante ou distancie o alto-falante do equipamento de navegação. Após distanciar a fonte da interferência, pode ser necessário recalibrar a bússola.

Se estiver navegando somente com a ajuda de uma bússola magnética, posicione o alto-falante com distância suficiente da bússola para evitar desvios na leitura.

Para evitar desvios do equipamento de navegação, posicione os alto-falantes para que estejam com a distância mínima do equipamento de navegação listada na tabela abaixo.



Direção do alto-falante	Alto-falantes de 4"	Alto-falantes de 6,5"	Alto-falantes de 7,7"
①	185 cm (6 pés 1 pol.)	250 cm (8 pés 2 pol.)	275 cm (9 pés)
②	185 cm (6 pés 1 pol.)	245 cm (8 pés)	275 cm (9 pés)
③	255 cm (8 pés 5 pol.)	310 cm (10 pés 2 pol.)	400 cm (33 pés 4 pol.)
④	185 cm (6 pés 1 pol.)	255 cm (8 pés 4 pol.)	275 cm (9 pés)
⑤	185 cm (6 pés 1 pol.)	230 cm (7 pés 6 pol.)	275 cm (9 pés)
⑥	230 cm (7 pés 7 pol.)	280 cm (9 pés 2 pol.)	385 cm (12 pés. 7 pol.)

Parâmetros Thiele/Small

Use os parâmetros Thiele/Small (T/S) ao projetar compartimentos personalizados para seus alto-falantes.

OBSERVAÇÃO: esses parâmetros podem variar entre as amostras, de acordo com o ambiente e em quanto o alto-falante já foi usado. Esses valores destinam-se a serem usados como um guia para ajudar no projeto do compartimento.

Parâmetro T/S	Alto-falantes de 4 pol.	Alto-falantes de 6,5 pol.	Alto-falantes de 7,7 pol.
Fator Q elétrico (Q_{es})	1,80	1,05	0,7
Fator Q mecânico (Q_{ms})	4,40	4,80	3,6
Fator Q total (Q_{ts})	1,28	0,86	0,59
Frequência de ressonância (F_s)	128	82	72
Carga de ar equivalente (V_{as})	1,6	7,6	10,4

XS Series luidsprekers installatie-instructies

Belangrijke veiligheidsinformatie

⚠ WAARSCHUWING

Geen gevolg geven aan deze waarschuwingen en aanbevelingen kan resulteren in persoonlijk letsel, schade aan het voertuig of vaartuig of slecht functioneren van het product.

Dit toestel moet worden geïnstalleerd volgens deze instructies.

Ontkoppel de stroomvoorziening van het voertuig of vaartuig, voordat u dit product gaat installeren.

⚠ VOORZICHTIG

Continue blootstelling aan geluidsdruk niveaus van meer dan 100 dBA kan permanente gehoorbeschadiging veroorzaken. Het volume is doorgaans te hoog als u de mensen om u heen niet hoort praten. Beperk de tijd dat u luistert met een hoog volume tot een minimum. Als uw oren suizen of als u spraak alleen gedempt hoort, gebruik het toestel dan niet meer en laat uw gehoor controleren.

Draag altijd een veiligheidsbril, oorbeschermers en een stofmasker tijdens het boren, zagen en schuren.

LET OP

Controleer voordat u gaat boren of zagen wat zich aan de andere kant van het oppervlak bevindt.

Voor optimale prestaties wordt aanbevolen om uw audiosysteem te laten installeren door een professionele installateur.

Lees alle installatie-instructies alvorens de installatie uit te voeren. Als u problemen ondervindt tijdens het installeren, kunt u voor ondersteuning terecht op www.fusionentertainment.com.

Inhoud van de verpakking

- 2 luidsprekers
- 12 roestvrijstalen kruiskopmontageschroeven
 - 4-inch modellen: 3,5 mm x 25,4 mm (6 gauge x 1 in.)
 - 6,5-inch en 7,7-inch modellen: 4,2 mm x 25,4 mm (8 gauge x 1 in.)
- Montagesjabloon
- Luidsprekergrilles

Benodigd gereedschap

- Elektrische boor
- Boortje (maat afhankelijk van materiaal van ondergrond)
- Kruiskopschroevendraaier
- Draadstriptang
- Krimptang
- Isolatietape
- Geschikte zaag of een hobbymes om oppervlaktemateriaal af te zagen of te snijden
- Watervaste kit (optioneel)

OPMERKING: Voor aangepaste installaties zijn mogelijk extra gereedschappen en materialen benodigd.

Aandachtspunten bij de montage

LET OP

Wanneer u de luidspreker in een omgeving monteert die is blootgesteld aan het weer of water, moet u de luidspreker op een verticaal oppervlak bevestigen. Als u de luidspreker naar boven gericht op een horizontaal oppervlak monteert, kan zich in en rond de luidspreker water verzamelen, dat na verloop van tijd schade veroorzaakt.

De juiste montageplek kiezen is van essentieel belang voor optimale prestaties van elke luidspreker. FUSION luidsprekers zijn ontworpen om op alle mogelijke montageplaatsen goed te presteren, maar hoe beter u de installatie plant, hoe beter de luidsprekers zullen klinken.

- Voor de beste prestaties dient u de luidsprekers in de boot te installeren. Geluidsgolven bewegen zich in de richting waarin de luidsprekers zijn geplaatst, dus als u ze op een plaats installeert die lager ligt, zijn de geluidskwaliteit en het volume mogelijk niet ideaal.
- Als u de luidsprekers buiten de boot wilt installeren, moeten ze hoog boven de waterlijn worden geplaatst, zodat ze niet onder water raken of beschadigd kunnen raken door een dok, palen of andere apparatuur. Als de luidsprekers goed zijn geïnstalleerd, zijn ze beschermd volgens beschermingsklasse IP65, vanaf de voorkant van de luidsprekers. Als de achterkant van de luidspreker wordt blootgesteld aan water of beschadigd raakt, vervalt de garantie. Dit geldt ook wanneer de luidsprekers zijn geplaatst in een afgesloten behuizing, met name wanneer er water langs loopt. Bij gebruik van een niet-afgesloten poort of ventilatiegat kan water in de behuizing binnendringen en de luidspreker beschadigen.
- U dient de montageplaats van de luidsprekers zo te kiezen dat u tegelijk geluid uit beide luidsprekers kunt horen om een opnamestudio-effect te bereiken. Om dit effect te kunnen bereiken, dient u de luidsprekers niet naast elkaar te installeren.
- Als u de montageplaats kiest, moet de ruimte achter elke luidspreker indien mogelijk een afgesloten ruimte zijn.
- U dient een montageplaats te kiezen die voldoende vrije ruimte biedt voor de montagediepte van de luidsprekers, zoals aangegeven in de productspecificaties.
- Kies voor de meest optimale bastonen montageplaatsen die voldoende ruimte achter de luidspreker bieden volgens de aanbevelingen voor een optimaal ontworpen behuizing in de specificaties. Een te kleine ruimte beperkt de bastonen en een te grote ruimte tast de kwaliteit van de bastonen aan. Als de luidspreker dichtbij een open ruimte is gemonteerd (waar het geluid uit de achterkant van de luidspreker vrijwel direct wordt overstemd door het geluid uit de voorkant van de luidspreker), zijn de bastonen minimaal.
- Wanneer een luidspreker niet is blootgesteld aan de buitenomgeving, kunt u betere basprestaties verkrijgen met een behuizing die is voorzien van poorten.
- Bij het ontwerpen van een aangepaste behuizingen voor uw luidsprekers kunt u gebruikmaken van de Thiele-Small-parameters (T/S).
- Kies voor optimale afdichting een vlak montageoppervlak.
- Bescherm de luidsprekerkabels tegen scherpe voorwerpen en gebruik altijd rubber ringen voor het geleiden van kabels door panelen.
- Kies een montageplaats die vrij is van mogelijke obstakels, zoals brandstofleidingen en hydraulische leidingen en bekabeling.
- Zorg dat alle aansluitpunten en aansluitingen niet in contact kunnen komen met de aarding of andere aansluitingen. Als dit niet gebeurt, kan dit permanente beschadiging van het audiosysteem tot gevolg hebben en kan de productgarantie komen te vervallen.
- Om interferentie met een magnetisch kompas te voorkomen, mogen de luidsprekers niet dicht bij een kompas worden gemonteerd dan op de kompasveilige afstand die is vermeld in de productspecificaties.
- U dient het audiosysteem uit te schakelen voordat u kabels aansluit op de broneenheid, versterker of luidsprekers. Als dit niet gebeurt, kan dit permanente beschadiging van het audiosysteem tot gevolg hebben.

De luidsprekers monteren

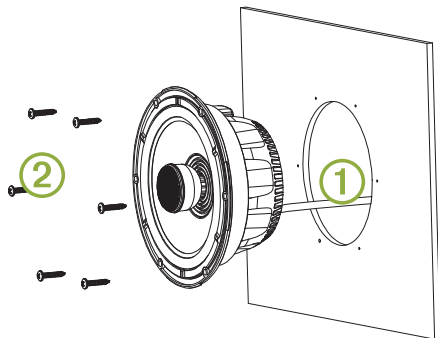
Kies aan de hand van de bovenstaande richtlijnen eerst een geschikte locatie, alvorens u de luidsprekers installeert.

Voordat u het montageoppervlak gaat uitzagen, dient u te controleren of er achter het montageoppervlak genoeg ruimte is voor de luidspreker. Raadpleeg de specificaties voor informatie over de vrije ruimte.

LET OP

Breng geen vet of smeermiddel op de schroeven aan als u de luidsprekers aan het montageoppervlak bevestigt. Vet of smeermiddel kan schade aan de behuizing van de luidspreker veroorzaken.

- 1 Leid de draden van de bron naar de luidsprekerlocatie uit de buurt van bronnen die elektronische interferentie kunnen veroorzaken.
- 2 Snijd de montagesjabloon uit en controleer of deze past op de gekozen locatie.
- 3 Richt de sjabloon zodanig dat het FUSION logo zich rechtop op de sjabloon bevindt.
- 4 Bevestig de sjabloon op de gekozen locatie.
- 5 Zaag met een slijptol of decoupeerzaag het montageoppervlak uit langs de binnenkant van de streepjeslijn op de sjabloon.
- 6 Plaats de luidspreker in de opening om te testen of dit past.
- 7 Gebruik indien nodig een vijl en schuurpapier om de opening heel precies op maat te krijgen.
- 8 Als de luidspreker goed in de opening past, dient u te controleren of de montagegaten op de luidspreker zijn uitgelijnd met de voorboorgaten op de sjabloon.
- 9 Markeer de locaties van de nieuwe gaten als deze niet zijn uitgelijnd met de montagegaten op de luidspreker.
- 10 Kies een maat boortje dat geschikt is voor het montageoppervlak en type schroef en boor de gaten.
- 11 Verwijder de sjabloon van het montageoppervlak.
- 12 Sluit de luidsprekerdraden aan ① en let op de polariteit (*Luidsprekerbedrading*, pagina 28).



- 13 Sluit indien nodig de LED-draden aan (*LED-bedrading*, pagina 28).
- 14 Plaats de luidspreker in de opening.
- 15 Bevestig de luidspreker op het montageoppervlak met de meegeleverde schroeven ②.
OPMERKING: Draai de schroeven niet te strak aan, vooral niet als het montageoppervlak niet vlak is.
- 16 Pak als de luidsprekers zijn gemonteerd de grille vast met het FUSION logo aan de onderkant of in de 6-uurstand.
- 17 Draai de grille ongeveer 30 graden linksom, zodat het FUSION logo zich in de 5-uurstand bevindt.
- 18 Plaats de grille op de luidspreker en draai de grille met de klok mee om deze goed op zijn plaats te zetten.

OPMERKING: In plaats van de grille te draaien om deze te bevestigen, kunt u de grille met het FUSION logo de 6-uurstand houden en op de grille drukken om deze vast te klikken.

Luidsprekerbedrading

Houd rekening met de volgende aandachtspunten bij het aansluiten van de luidsprekers op uw stereo.

- De luidsprekerkabel wordt niet meegeleverd bij de luidsprekers. U dient luidsprekerkabel met een dikte van minimaal 18 AWG (0,82 mm²) te gebruiken om de luidsprekers te verbinden met de stereo-installatie.
- De aansluitdraden van de luidsprekers zijn voorzien van mannelijke spade-connectoren. Gebruik vrouwelijke spade-connectoren (niet meegeleverd) om de luidsprekerkabel aan te sluiten op de luidsprekerdraden voor de beste verbinding.
- U kunt deze tabel gebruiken om de polariteit en spade-connectormaten van de aansluitpunten op de luidspreker te bepalen.

Kleur luidspreker-draad	Polariteit luidsprekerdraad	Maat spade-connector
Wit	Positief (+)	6,3 mm
Wit met zwarte streep	Negatief (-)	4,8 mm

LED-bedrading

De LED-draden aansluiten

U kunt de kleur van de LED's regelen door de LED-draden op de aarde aan te sluiten. U kunt de aardedraad met meerdere LED-draden verbinden om de LED-kleur aan te passen.

OPMERKING: Deze functie is alleen beschikbaar op het Sportmodel.

OPMERKING: In plaats van de LED-draden te sluiten voor één vaste kleur, kunt u een afstandsbediening installeren om de LED's in en uit te schakelen, de kleur te wijzigen en lichteffecten te creëren. Bezoek uw plaatselijke FUSION dealer of ga naar www.fusionentertainment.com voor meer informatie.

De zwarte draad van de LED-kabel is afgesloten met een vrouwelijke kogelconnector van 4 mm en de kleurdraden zijn afgesloten met mannelijke kogelconnectoren van 4 mm. U kunt deze aansluiten op kogelconnectoren van 4 mm op uw draden (niet inbegrepen) of de kogelconnectoren verwijderen om de draden met de kale bedrading te verbinden.

- 1 Sluit de positieve draad aan op de zwarte draad in de LED-kabel.
- 2 Sluit een aardedraad aan op de draad in de LED-kabel die overeenkomt met de gekozen LED-kleur.

LED-kleur	LED-draadkleur
Rood	Rood
Groen	Groen
Blauw	Blauw
Geel	Rood en groen
Paars	Rood en blauw
Cyaan	Blauw en groen
Wit	Rood, groen en blauw

- 3 Leid de positieve en de negatieve draden en sluit deze aan op een voedingsbron (*De LED-draden aansluiten op de voeding*, pagina 28).

De LED-draden aansluiten op de voeding

OPMERKING: Deze functie is alleen beschikbaar op het Sportmodel.

U dient alle 12 V gelijkstroomkabels naar de LED's te verbinden met een zekering van 3 ampère aan het kabeluiteinde met de voedingsbron. De positieve (+) voedingsdraad moet worden aangesloten op een 12 V gelijkstroomvoedingsbron via een isolatieschakelaar of stroomverbreker om de LED's in en uit te schakelen. U kunt dezelfde isolatieschakelaar of zekering

gebruiken die de stroomvoorziening naar uw stereo regelt, zodat u de LED's en de stereo tegelijk in en uit kunt schakelen.

U dient verlengdraden met een dikte van minimaal 22 AWG (0,33 mm²) te gebruiken om de LED's met de batterij te verbinden.

- 1 Leid de positieve (+) voedingsdraad en de negatieve (-) aarddraad van de LED-draadaansluitingen naar de batterij.
- 2 Sluit de negatieve draad aan op de negatieve pool (-) van de batterij.
- 3 Sluit de positieve draad aan op de positieve (+) pool via een zekering van 3 ampère en een isolatieschakelaar of stroomverbreker.

Luidsprekergegevens

True-Marine producten

True-Marine producten worden onder zware omstandigheden op het water uitvoerig getest op milieuvriendelijkheid om de milieuriichtlijnen voor watersportproducten te overtreffen.

Elk product dat het True-Marine kwaliteitskeurmerk draagt is gebaseerd op geavanceerde nautische technologieën en ontworpen om gebruikers optimaal gebruiksgemak en een in de industrie onovertroffen gebruikservaring te bieden. Op alle True-Marine producten is de beperkte, wereldwijde FUSION garantie van 3 jaar voor consumenten van toepassing.

Uw XS Series registreren

Vul de onlineregistratie vandaag nog in zodat wij u beter kunnen helpen.

- Ga naar www.fusionentertainment.com.
- Bewaar uw originele aankoopbewijs of een fotokopie op een veilige plek.

De luidsprekers reinigen

OPMERKING: Indien correct gemonteerd, zijn deze luidsprekers onder normale omstandigheden beschermd tegen binnendringen van stof en water volgens beschermingsklasse IP65. Ze zijn niet bestand tegen reinigen met een hogedrukspuit, bijvoorbeeld wanneer u uw schip schoon spuit. Schoonspuiten van het schip moet voorzichtig gebeuren om te voorkomen dat het product beschadigd wordt en de garantie vervalt.

LET OP

Gebruik op de luidsprekers geen harde reinigings- of oplosmiddelen. Door gebruik van dergelijke reinigingsmiddelen kan het product beschadigd worden en kan de garantie vervallen.

- 1 Verwijder al het zoute water en alle zoutaanslag van de luidspreker met een in schoon water gedrenkte, vochtige doek.
- 2 Gebruik een zacht schoonmaakmiddel om zware aanslag van zout of vlekken te verwijderen.

Problemen oplossen

Probeer als zich een probleem voordoet eerst de oorzaak vast te stellen aan de hand van een paar eenvoudige stappen, voordat u contact opneemt met uw FUSION dealer of servicekantoor.

Als de FUSION luidspreker door een professioneel installatiebedrijf is geïnstalleerd, dient u contact op te nemen met dat bedrijf, zodat de onderhoudstechnici kunnen bepalen wat de aard van het probleem is en u kunnen adviseren over mogelijke oplossingen.

Er komt geen geluid uit de luidsprekers

- Controleer of alle draden van brontoestel en/of versterker naar de aansluitpunten van de luidsprekers correct zijn aangesloten.

Het systeem geeft geen lage of hoge tonen weer

- Controleer of de draden tussen bron en luidsprekers volgens de juiste polariteit zijn aangesloten.
Positief moet op positief en negatief moet op negatief worden aangesloten.
- Controleer of de luidsprekers stevig zijn bevestigd op het montageoppervlak.

De geluidswaergeving is vervormd

- Ga na dat het bronvolume niet te luid is voor de luidspreker en pas het volume zo nodig aan.
- Controleer of de panelen rondom de luidspreker op de boot niet rammelen.
- Controleer of het brontoestel en/of de versterker correct op de aansluitpunten van de luidspreker zijn aangesloten.
- Controleer, als de luidspreker is aangesloten op een versterker, of het ingangsniveau van de versterker overeenkomt met het uitgangsniveau van de stereo. Raadpleeg de gebruikershandleiding bij de versterker voor meer informatie.

De LED-lampjes branden niet

- Controleer of alle kabels correct zijn aangesloten en stevig zijn bevestigd.

Specificaties

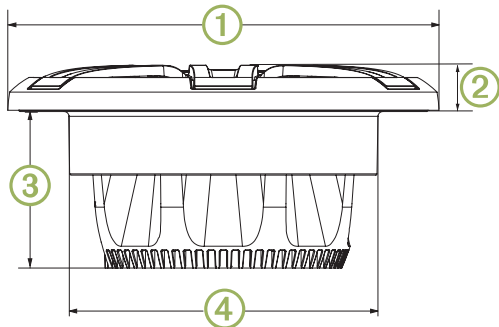
Specificatie	4-inch luid- sprekers	6,5-inch luid- sprekers	7,7-inch luid- sprekers
Piekvermogen (Watt)	120 W	200 W	240 W
RMS vermogen (Watt)	30 W	50 W	60 W
Efficiëntie (1 W/1 m)	87 dB	91 dB	92 dB
Frequentiewaer- gave	100 Hz tot 18.000 Hz	80 Hz tot 18.000 Hz	70 Hz tot 18.000 Hz
Nominale impedantie	4 Ohm		
Aanbevolen versterkerver- mogen (RMS)	15 tot 80 W per kanaal	20 tot 150 W per kanaal	25 tot 200 W per kanaal
Min. montage- diepte (vrije ruimte)	54 mm (2 1/8 in.)	67 mm (2 5/8 in.)	77 mm (3 in.)
Montagediameter (vrije ruimte)	99 mm (3 7/8 in.)	135 mm (5 5/16 in.)	162 mm (6 3/8 in.)
Aanbevelingen optimaal behu- zingsvolume*	4 l (0,14 ft. ³)	8 l (0,28 ft. ³)	10 l (0,28 ft. ³)
LED-kleuropties (alleen Sportmodel luidsprekers)	N.v.t.	RGB	
LED-voedingsspan- ning (alleen Sportmodel luid- sprekers)	N.v.t.	Van 10,8 tot 16 V gelijkstroom	
LED-belastings- stroom bij 14,4 V gelijkstroom (alleen Sportmodel luid- sprekers)	N.v.t.	150 mA	
Bedrijfstempera- tuurbereik	Van 0 tot 50°C (van 32 tot 122°F)		
Bereik opslagtem- peratuur	Van -20 tot 70°C (van -4 tot 158°F)		

Specificatie	4-inch luidsprekers	6,5-inch luidsprekers	7,7-inch luidsprekers
Conus/surround-materiaal	Polypropyleen conus, rubberen surround	Polypropyleen conus, surround van doek	
Water- en stofbestendigheid	IEC 60529 IP65 (beschermd tegen binnendringen van stof en water)		

*Afgesloten behuizing, geheel gevuld met absorberend materiaal.

OPMERKING: Deze luidspreker dient niet te worden geïnstalleerd in een behuizing met ventilatiegaten of poorten indien blootgesteld aan een buitenomgeving.

Afmetingen luidspreker



Afmeting	4-inch luidsprekers	6,5-inch luidsprekers	7,7-inch luidsprekers
①	135 mm (5 5/16 in.)	177 mm (6 15/16 in.)	196 mm (7 11/16 in.)
②	Klassieke grille: 17 mm (11/16 in.) Sportgrille: 19 mm (3/4 in.)	Klassieke grille: 17 mm (11/16 in.) Sportgrille: 19 mm (3/4 in.)	Klassieke grille: 20 mm (3/4 in.) Sportgrille: 23 mm (7/8 in.)
③	51 mm (2 in.)	64 mm (2 1/2 in.)	74 mm (2 7/8 in.)
④	95 mm (3 3/4 in.)	130 mm (5 1/8 in.)	157 mm (6 3/16 in.)

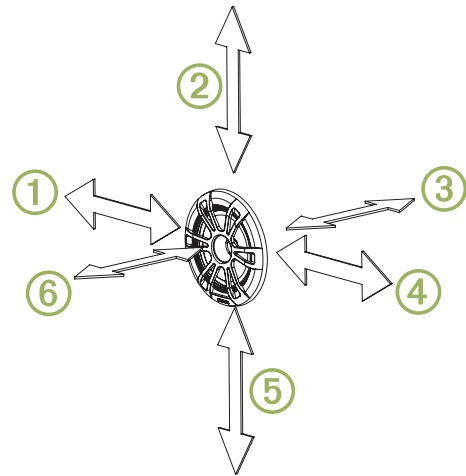
Kompasveilige afstanden

Alle luidsprekers bevatten magneten die interferentie kunnen veroorzaken met instrumenten op uw boot. De grootte van de magneet die wordt gebruikt in de luidspreker is van invloed op de hoeveelheid interferentie die de luidspreker kan veroorzaken.

Interferentie kan leiden tot afwijkingen en variaties in de metingen van gevoelige navigatieapparatuur, zoals magnetische kompassen. Deze afwijkingen kunnen onnauwkeurigheden of correcties in de metingen veroorzaken, maar zijn niet schadelijk voor de apparatuur. Als u de afwijkingen wilt verminderen, past u het kompas voor de afwijking aan met behulp van de instructies van de fabrikant of plaatst u de luidspreker uit de buurt van de navigatieapparatuur. Nadat u een bron van interferentie hebt verplaatst, moet u het kompas mogelijk opnieuw kalibreren.

Als u alleen een magnetisch kompas voor navigatie gebruikt, let er dan extra op dat u de luidspreker ver genoeg uit de buurt van het kompas plaatst om afwijkingen in de metingen te voorkomen.

Om afwijkingen in de navigatieapparatuur te voorkomen, moet u bij het positioneren van de luidsprekers ten opzichte van de navigatieapparatuur ten minste de afstand in de tabel hieronder aanhouden.



Richting van luidspreker	4-inch luidsprekers	6,5-inch luidsprekers	7,7-inch luidsprekers
①	185 cm (6 ft. 1 in.)	250 cm (8 ft. 2 in.)	275 cm (9 ft.)
②	185 cm (6 ft. 1 in.)	245 cm (8 ft.)	275 cm (9 ft.)
③	255 cm (8 ft. 5 in.)	310 cm (10 ft. 2 in.)	400 cm (33 ft. 4 in.)
④	185 cm (6 ft. 1 in.)	255 cm (8 ft. 4 in.)	275 cm (9 ft.)
⑤	185 cm (6 ft. 1 in.)	230 cm (7 ft. 6 in.)	275 cm (9 ft.)
⑥	230 cm (7 ft. 7 in.)	280 cm (9 ft. 2 in.)	385 cm (12 ft. 7 in.)

Thiele-Small-parameters

Bij het ontwerpen van een aangepaste behuizingen voor uw luidsprekers kunt u gebruikmaken van de Thiele-Small-parameters (T/S).

OPMERKING: Thiele-Small-parameters kunnen variëren tussen meetmomenten, afhankelijk van de omgeving en hoeveel de luidspreker is gebruikt. Deze waarden zijn bedoeld als gids om te helpen met het ontwerp van de behuizing.

T/S-parameter	4-inch luidsprekers	6,5-inch luidsprekers	7,7-inch luidsprekers
Elektrische Q-factor (Q _{es})	1,80	1,05	0,7
Mechanische Q-factor (Q _{ms})	4,40	4,80	3,6
Totale Q-factor (Q _{ts})	1,28	0,86	0,59
Resonantiefrequentie (F _s)	128	82	72
Equivalent luchtvolume (V _{as})	1,6	7,6	10,4